

# Delayed Egress Devices



We take the worry out of  
protecting what's valuable to you.  
Lockwood: *no worries*<sup>®</sup>

**LOCKWOOD**

**ASSA ABLOY**

**5YEAR**

**TRICARE  
WARRANTY**

**PADDE SERIES**

[www.lockweb.com.au](http://www.lockweb.com.au)

# Lockwood Padde Series DE6SC Delayed Egress Device



## Description

The Lockwood Padde Series DE6SC is designed to alert a user if an unauthorised attempt is made to access a door, particularly when free egress is required. The unit emits an infrared beam down towards a panic bar or lever. A small piece of reflective tape is placed on either of these two devices and when an attempt is made to push the panic bar or lever, the DE6SC will trigger an alarm. After 15 seconds the DE6SC releases the electronic locking mechanism thereby unlocking the door. The alarm continues to sound giving someone the opportunity to investigate the security breach. The unit is reset by disconnecting the power, this can be achieved through a keyswitch or access control panel. The delayed exit operation of the DE6SC will be overridden in the event of a fire alarm or duress. The ability to override the delay is what makes the DE6SC suitable for the locking of fire door or general emergency exits.

## Product Details

<b>Voltage</b>	12v AC or DC
<b>Current</b>	12Vdc - 375mA after 1 second (830mA initial draw)
<b>Monitoring</b>	Lock and Door Monitoring
<b>Holding Force</b>	1500lbs 680kg
<b>Pre-Load</b>	660lbs 300kg
<b>Environment Operational</b>	Temperature Range -20°C - +60°C

## Key Features

- Slave lock input for double doors
- Fail safe push to exit input
- Alarm output connected directly to siren
- Remote monitor alarm output
- Lock monitoring
- Door monitoring

## Applications

- Fire exit doors for retail or commercial environments

## Standards and Compliance



CE Approved



C-Tick Certified

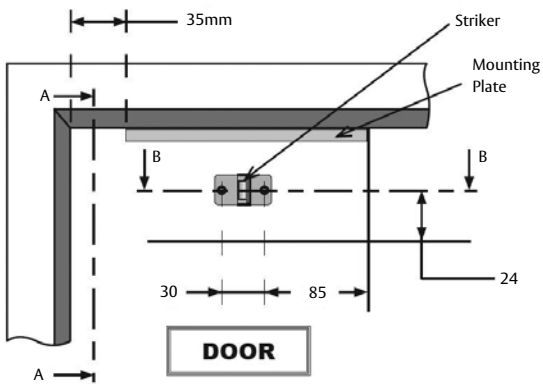
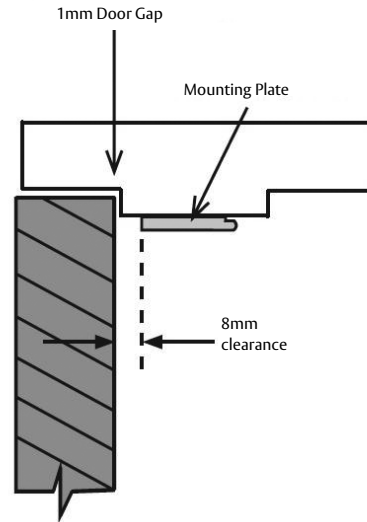
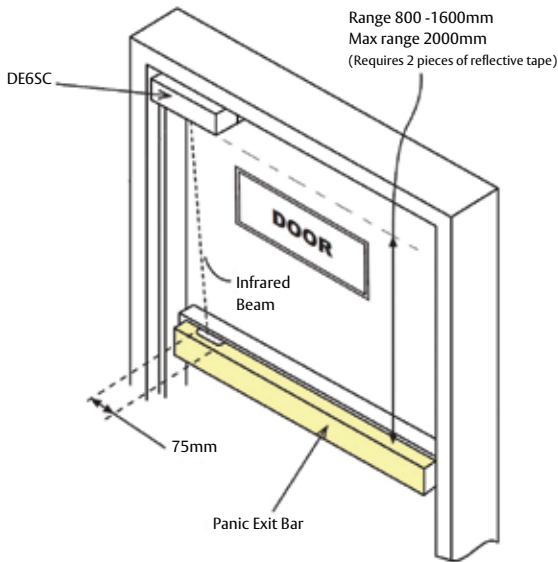


Successfully fire rated up to 2 hours on fire door assemblies in accordance with AS1905.1.2005 (Part 1: Fire Resistant Doorsets)

Locking Mechanism (ES6000) conforms with the relevant requirements in accordance to AS4145.2

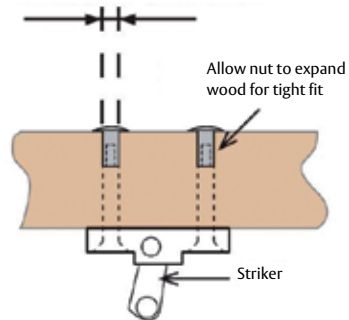
Conforms to D2.21 of the BCA (Building Code of Australia)

# DE6SC Delayed Egress Device



View from Top of the Door

ø10.0mm for metal door  
ø9.0mm for wood doors



# DE6SC Delayed Egress Device

## Ordering Information

Part Number	Product Description
100610-050	DE6SC Delayed Egress Hook Lock
220600-507	DE6SC Reflective Tape

### Specification Statement

The delayed egress system must be “deemed to satisfy” the relevant sections of the Building Code of Australia. The system should be capable of integration with the building fire system where activation of the fire system will directly and immediately release the lock. An audible alarm should indicate to a person wishing to exit that a delay before door release is active and a distinctive change of this audible alarm would indicate the door is available for immediate exit. The delaying circuits should also be suitable for instant bypass if an emergency pushbutton is fitted adjacent to the door. Full monitoring of lock status and door position should be available from within the system. Resetting of a released door should be by a local key reset or remotely resettable depending on site requirements.



**ASSA ABLOY**

**Lockwood** is the leading brand in the Australian locking industry. With an established reputation for high quality products, this iconic brand provides a wide range of locking solutions to residential housing, commercial building and industrial application markets. Lockwood is supported by an extensive distribution and after-sales support network. Our customers include retailers, architects, trade and industrial personnel, locksmiths and security dealers.

**ASSA ABLOY** is the global leader in door opening solutions, dedicated to satisfying end-user needs for security, safety and convenience.

**ASSA ABLOY** is represented in all major regions, in both mature and emerging markets, with leading positions in Australia, Europe and North America.



**PADDE SERIES**

#### The 5 Year Tricare Warranty

Our belief that we manufacture the finest premium products available in today's market place is backed by the 5 Year Tricare Warranty, ensuring that Lockwood continues to keep Australians safe by delivering security and peace of mind.

For warranty terms and conditions, please visit [www.lockweb.com.au](http://www.lockweb.com.au) or call **1300WARRANTY**

**ASSA ABLOY Australia Pty Ltd**  
235 Huntingdale Road  
Oakleigh, Victoria, 3166  
Australia

**1300 LOCK UP (1300 562 587)**  
[lockweb.com.au](http://lockweb.com.au)

