

# Screen Door Closer



We take the worry out of  
protecting what's valuable to you.  
Lockwood: *no worries*<sup>®</sup>

**LOCKWOOD**

**ASSA ABLOY**

**25YEAR**

**MECHANICAL  
WARRANTY**

[www.lockweb.com.au](http://www.lockweb.com.au)

# Pneumatic Screen Door Closer



## Description

The Newly Engineered 403 Screen Door Closer is suitable for screen doors weighing up to 21kg. The unique Closing Adjustment Dial offers easy closing speed adjustment. The added Rod Retaining Clip feature provides an extra element of safety, preventing the closer from dislodging.

## Features

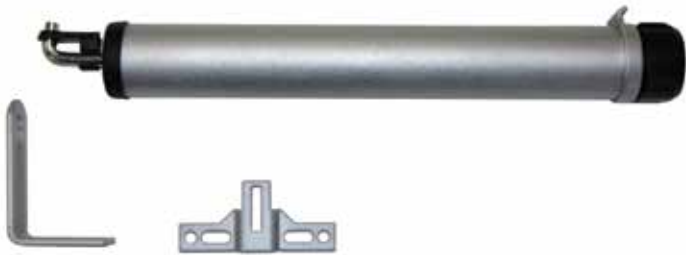
### 403 Screen Door Closer

- Spring loaded bleed valve for smooth closing
- Closing speed easily hand adjustable
- Door hold-open feature
- Surface mounting
- Rapid air release function
- Automatic latch operation
- Easy installation

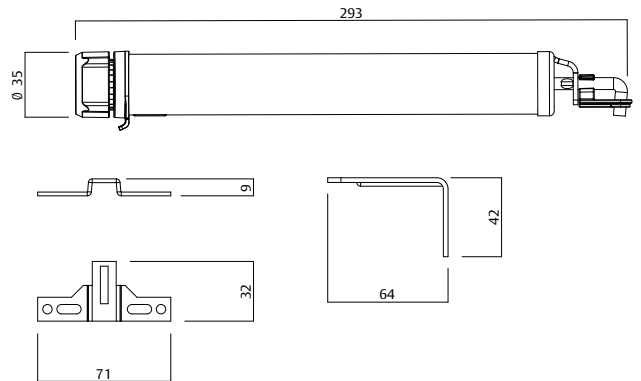
## Product Details

<b>Finishes</b>	Brown ( <b>BRN</b> )
	Silver ( <b>SIL</b> )
	Black ( <b>BLK</b> )
	Primrose ( <b>PRM</b> )
	White ( <b>WH</b> )
<b>Materials</b>	Furniture body: Aluminium
	End cap: Zinc diecast
	Steel rod and brackets: Zinc plated

# Pneumatic Screen Door Closer



403 Screen Door Closer



403 Screen Door Closer for Doors Weighing up to 21kg

## Ordering Procedure

Product	Finish	Packaging	Part No
403	Brown	Display pack	403BRNDP
	Silver	Display pack	403SILDP
	Black	Display pack	403BLKDP
	Black	Trade pack	403BLK
	Primrose	Trade pack	403PRM
	White	Trade pack	403WH



**ASSA ABLOY**

**Lockwood** is the leading brand in the Australian locking industry. With an established reputation for high quality products, this iconic brand provides a wide range of locking solutions to residential housing, commercial building and industrial application markets. Lockwood is supported by an extensive distribution and after-sales support network. Our customers include retailers, architects, trade and industrial personnel, locksmiths and security dealers.

**ASSA ABLOY** is the global leader in door opening solutions, dedicated to satisfying end-user needs for security, safety and convenience.

**ASSA ABLOY** is represented in all major regions, in both mature and emerging markets, with leading positions in Australia, Europe and North America.

**25YEAR  
MECHANICAL  
WARRANTY**

### **The Lockwood 25 Year Mechanical Warranty**

Our belief that we manufacture the finest premium products available in today's market place is backed by the Lockwood 25 Year Mechanical Warranty, ensuring that Lockwood continues to keep Australians safe by delivering security and peace of mind.

For warranty terms and conditions, please visit [www.lockweb.com.au](http://www.lockweb.com.au) or call **1300WARRANTY**

**ASSA ABLOY Australia Pty Ltd**  
235 Huntingdale Road  
Oakleigh, Victoria, 3166  
Australia

**1300 LOCK UP (1300 562 587)**  
[lockweb.com.au](http://lockweb.com.au)

**ASSA ABLOY New Zealand Ltd**  
6 Armstrong Road  
Albany, Auckland, 0632  
New Zealand

**[info.nz@assaabloy.com](mailto:info.nz@assaabloy.com)**  
**Telephone +64 9415 7111**  
**[assaabloy.co.nz](http://assaabloy.co.nz)**

