

ASSA ABLOY is the global leader in door opening solutions, dedicated to satisfying end-user needs for security, safety and convenience



Please Note:

This document is provided as a dimensional reference and should not be printed as a drilling template unless it can be correctly scaled to 100% by your printer.

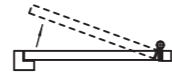
ASSA ABLOY Australia Pty Limited
235 Huntingdale Road,
Oakleigh Victoria, 3166
Australia

info.au@assaabloy.com
assaabloy.com.au

ASSA ABLOY New Zealand Ltd.
6 Armstrong Road
Albany, North Shore City, 0632
New Zealand

info.nz@assaabloy.com
assaabloy.co.nz

**2024 SERIES
HOLD OPEN PARALLEL ARM
INSTALLATION INSTRUCTIONS**



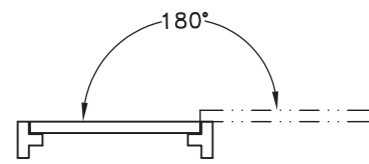
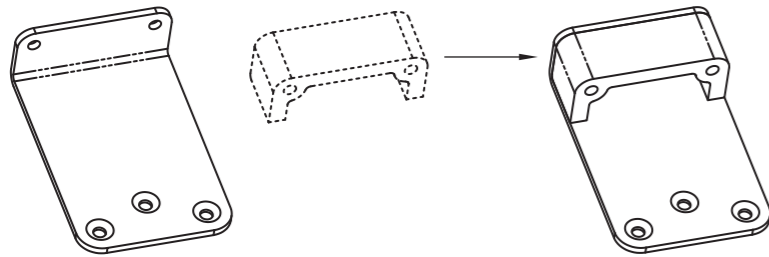
EN	DOOR WIDTH (mm)	DOOR WEIGHT (kg)
2	<850	<40
3	<950	<60

TOP OF DOOR

TOP OF DOOR

EN2

EN3



Ø4.2	Ø3.0
M5	

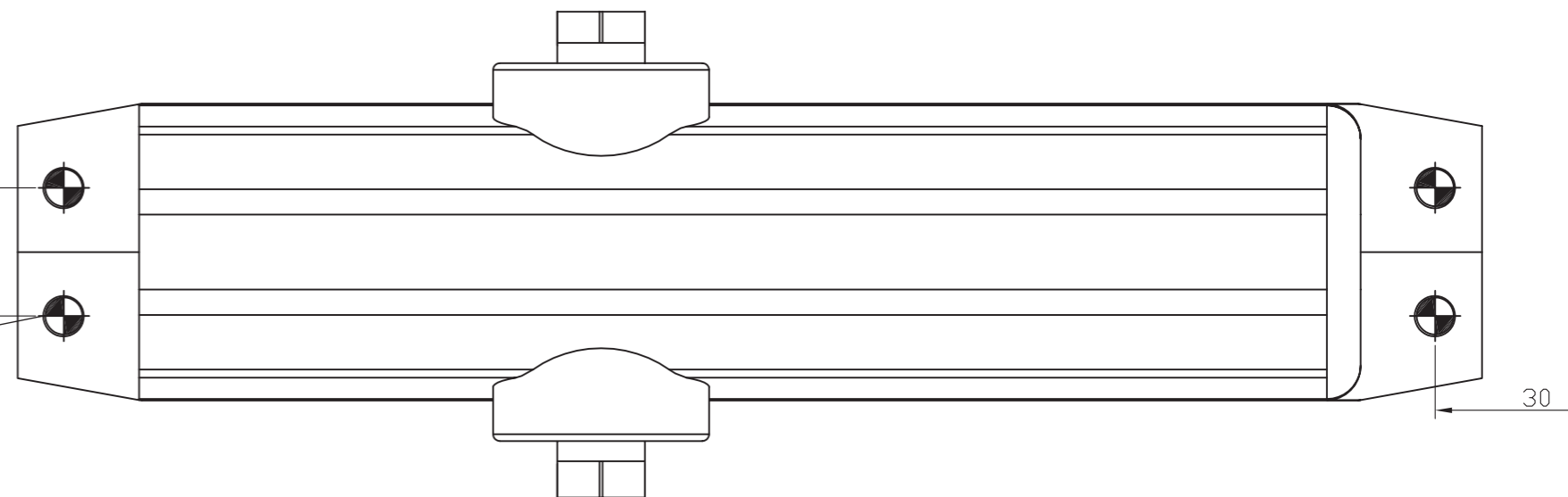
85

19

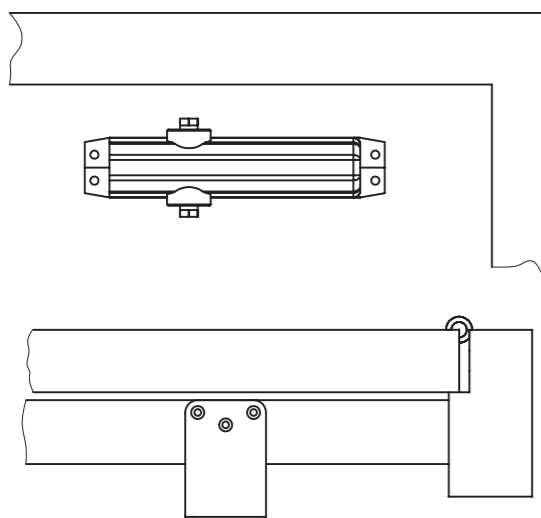
2

125

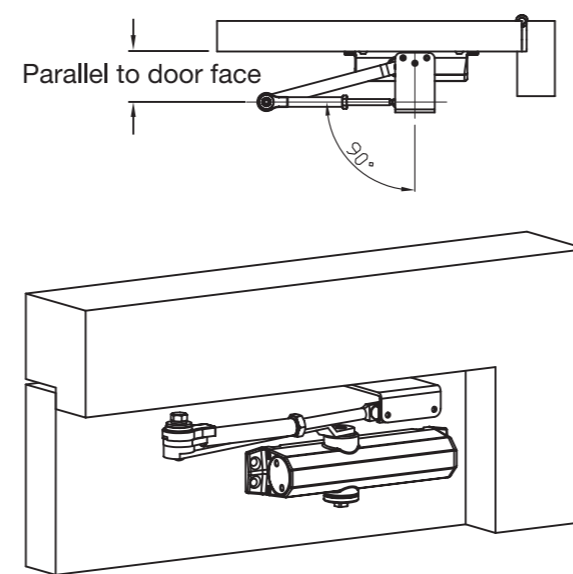
1



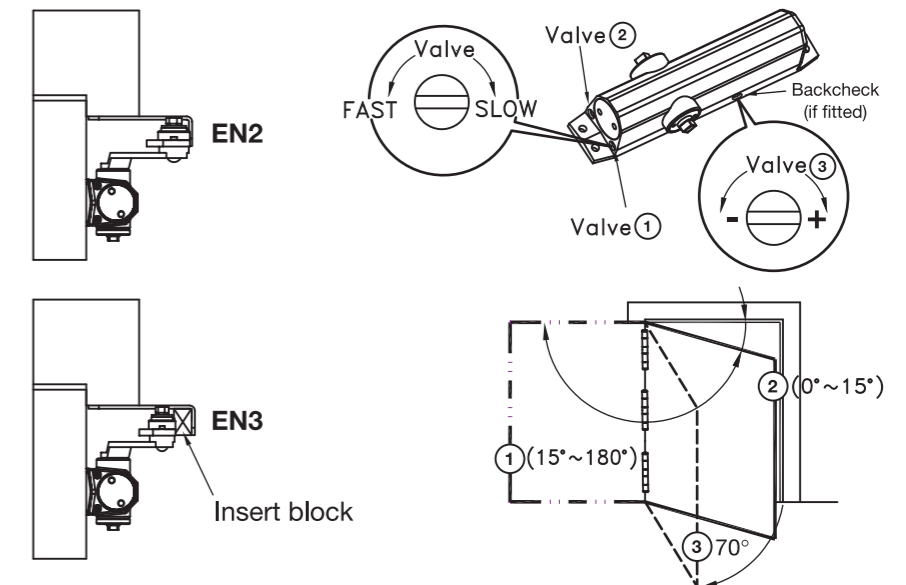
2



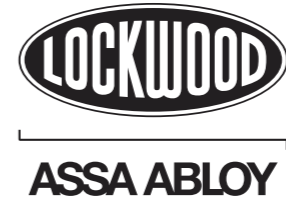
3



4



EN	DOOR WIDTH (mm)	DOOR WEIGHT (kg)
2	<850	<40
3	<950	<60



2024 SERIES HOLD OPEN PARALLEL ARM INSTALLATION INSTRUCTIONS

