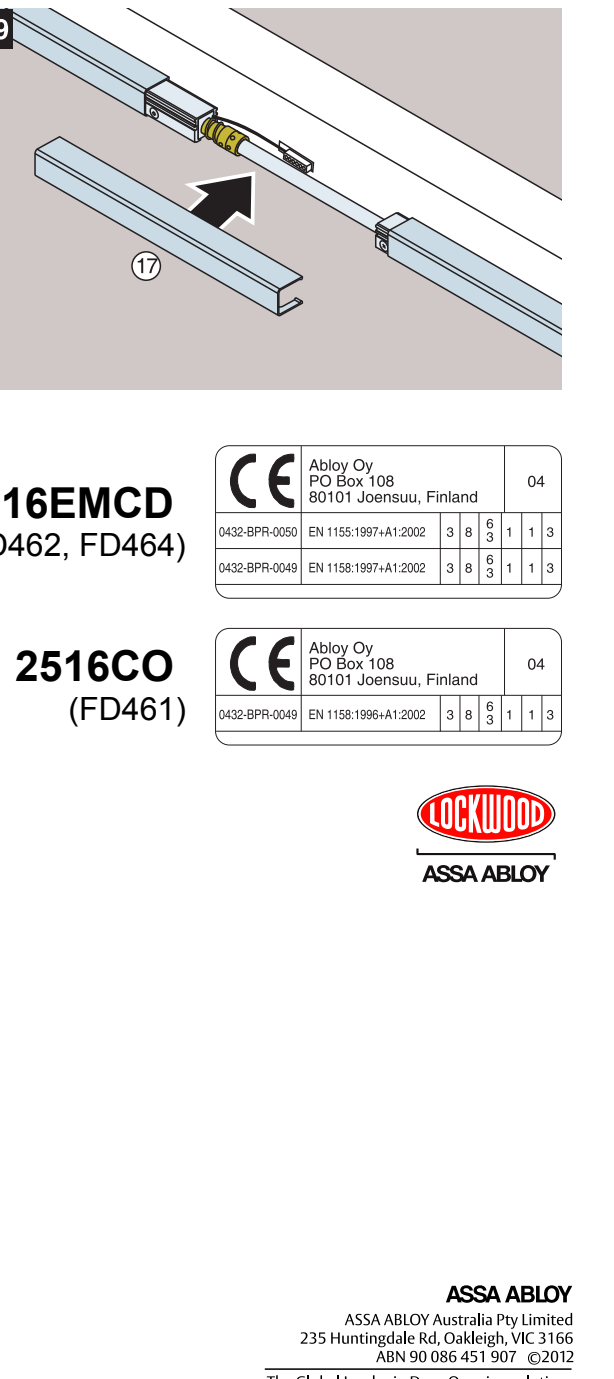
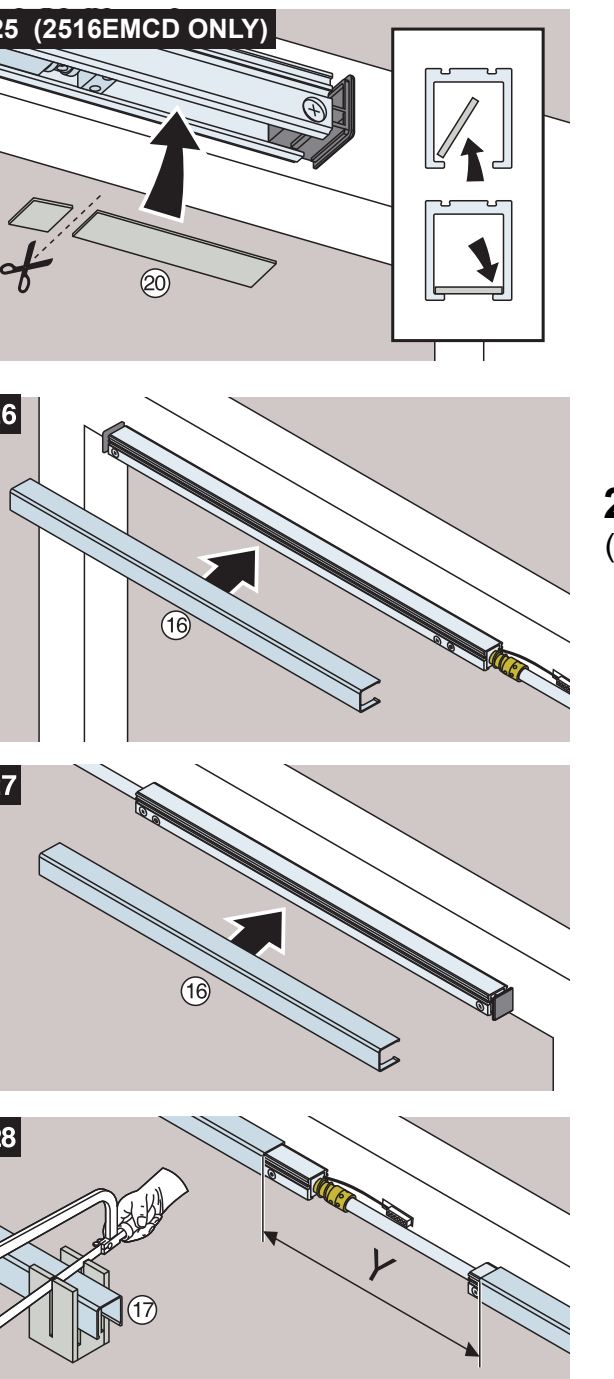
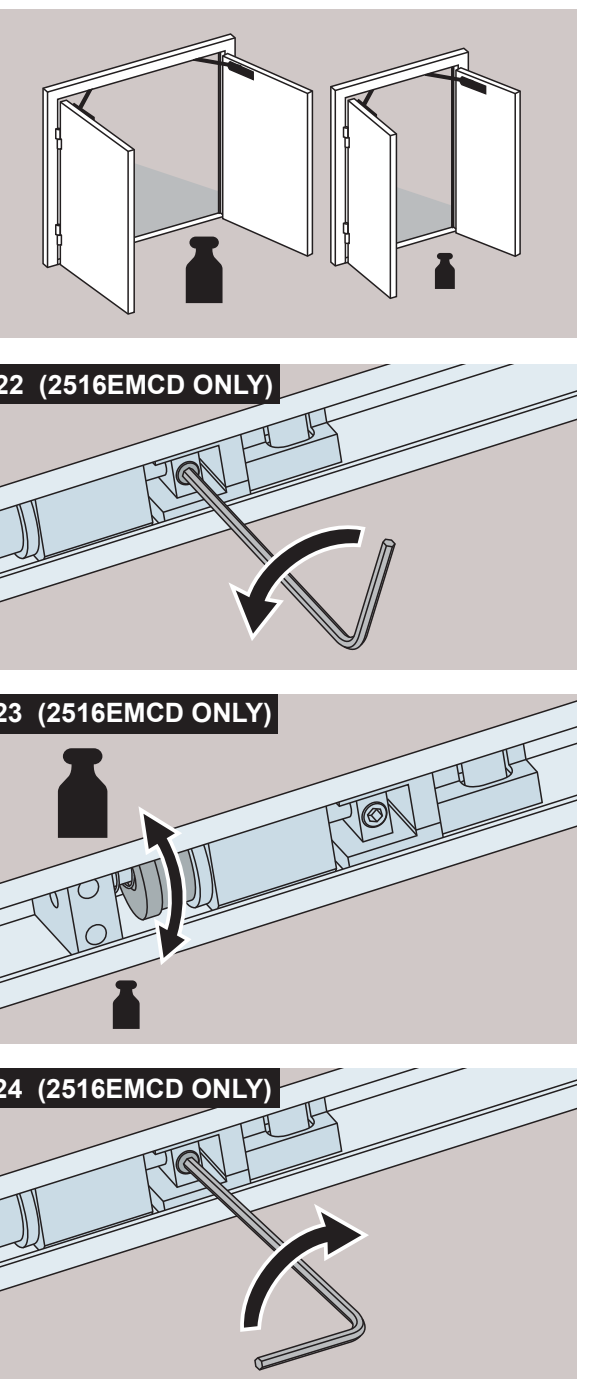
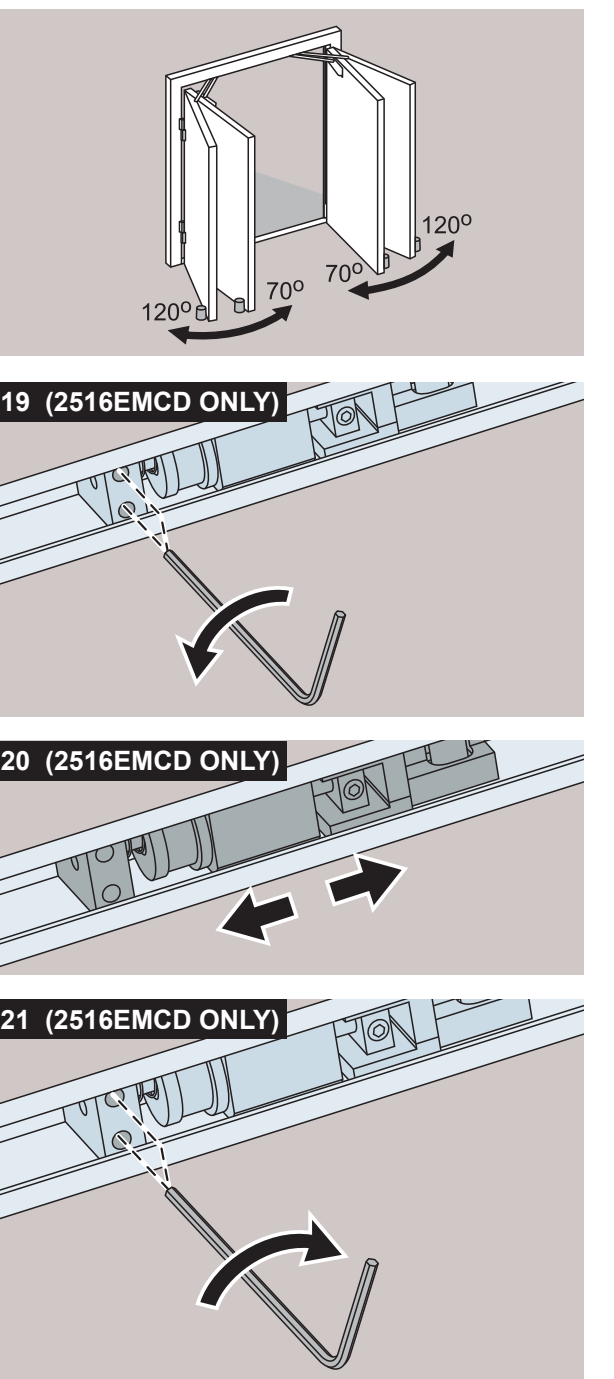
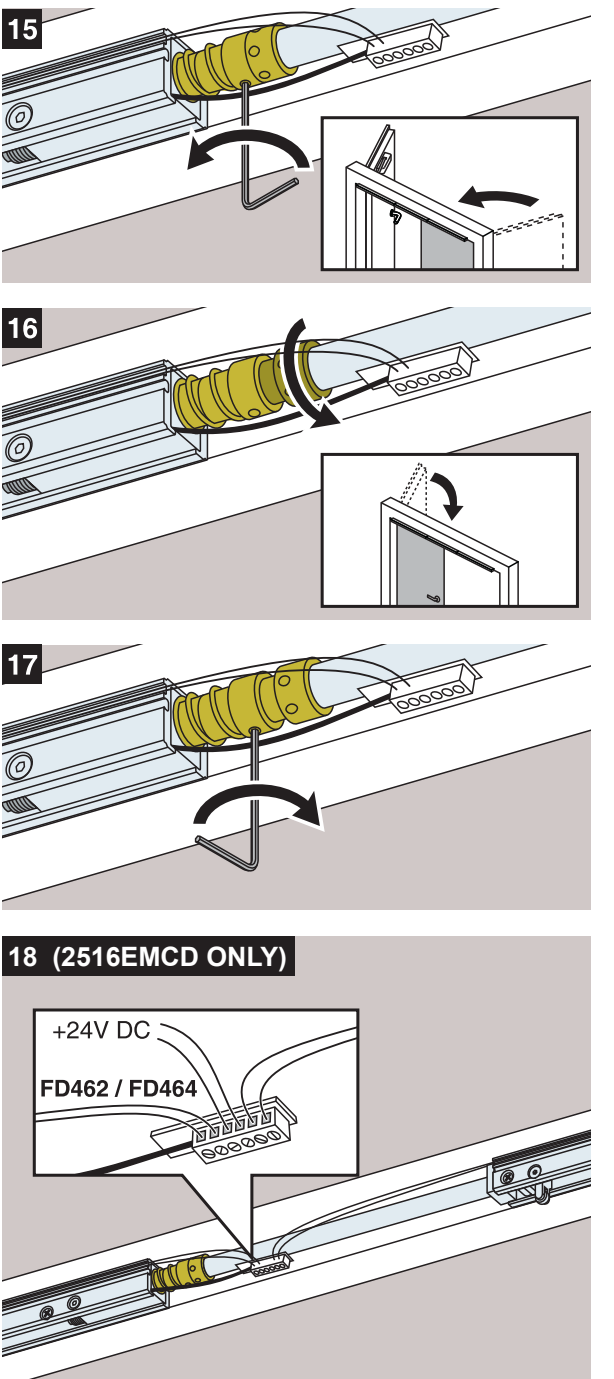
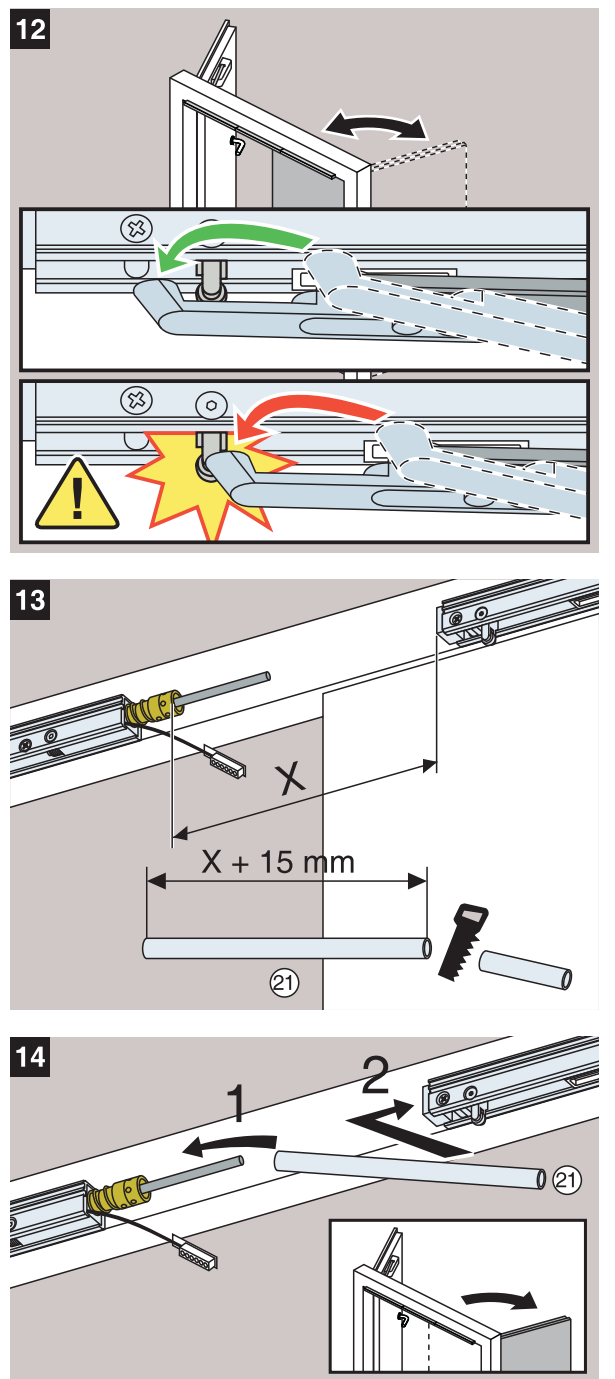
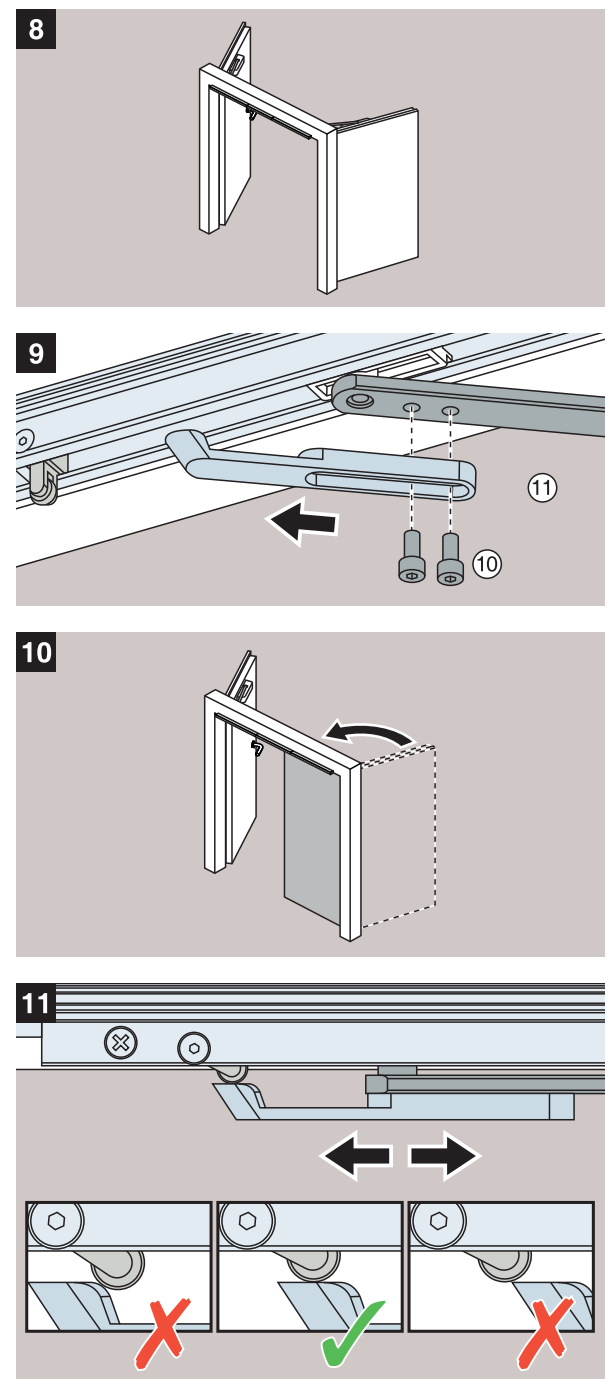
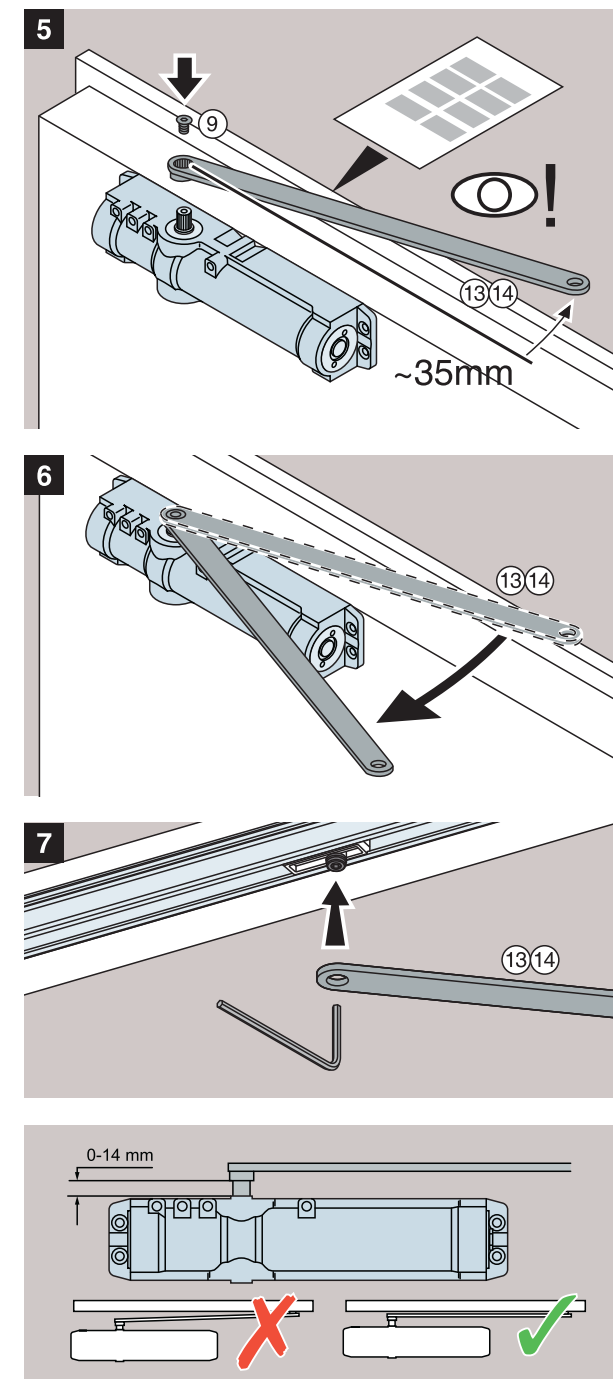
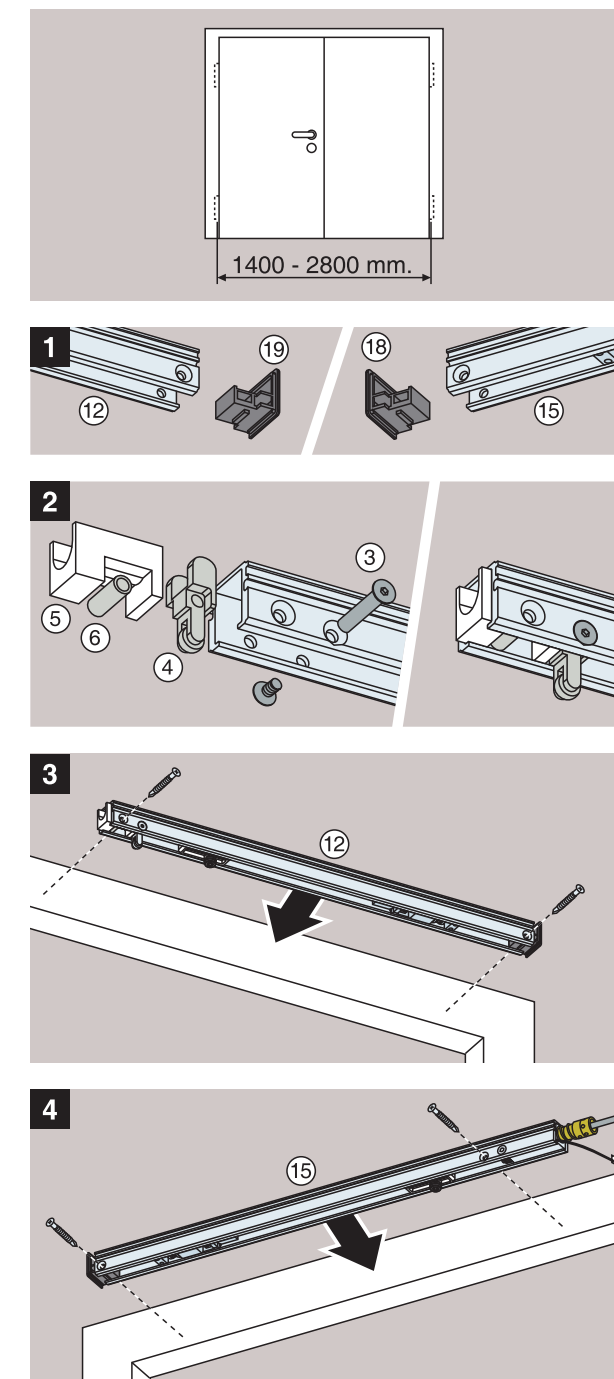
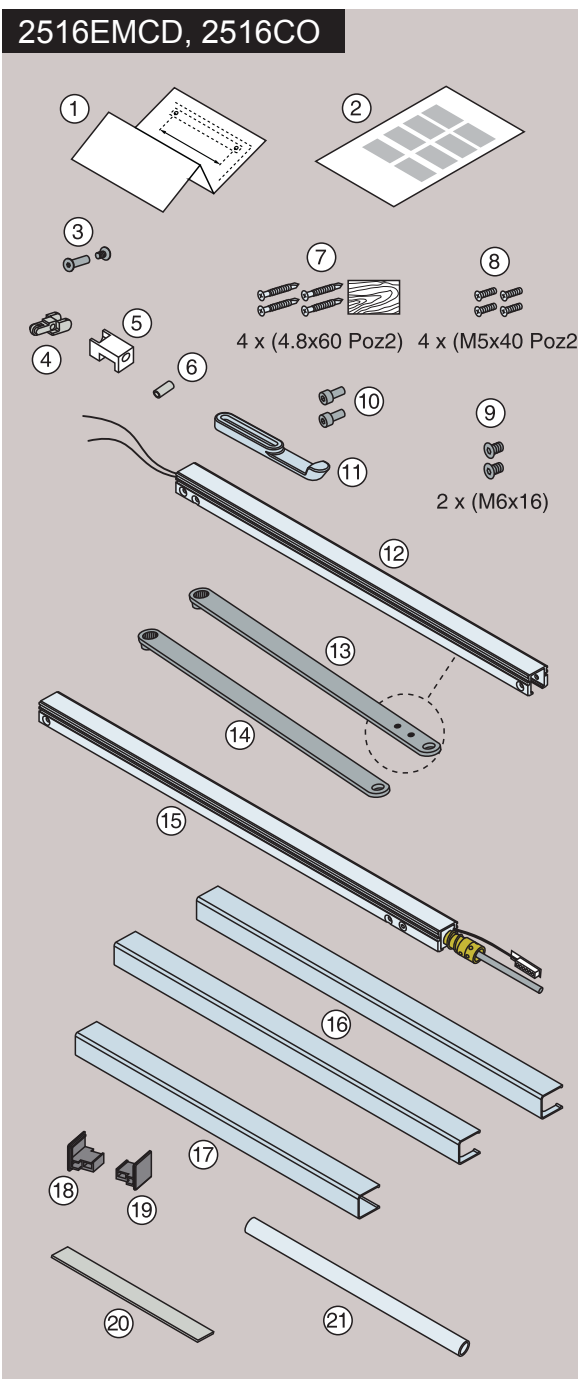
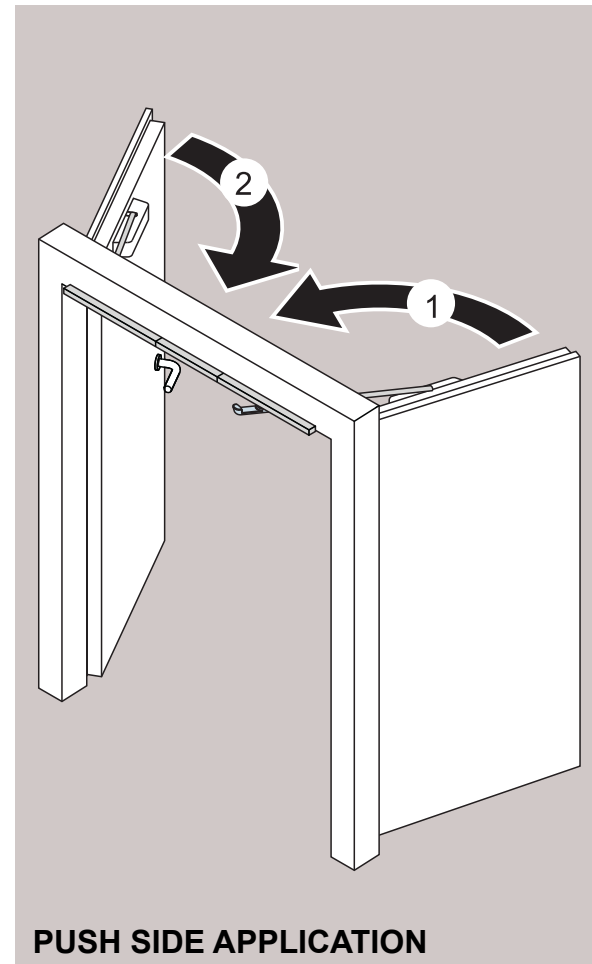




ASSA ABLOY

### 2516EMCD SERIES ELECTROMECHANICAL DOUBLE DOOR DOORCLOSERS with HOLD OPEN

### 2516CO SERIES ELECTROMECHANICAL DOUBLE DOOR DOORCLOSERS with CO-ORDINATOR



2516EMCD  
(FD462, FD464)

CE	Abloy Oy	04			
	PO Box 108 80101 Joensuu, Finland				
0432-BPR-0050	EN 1158:1997+A1:2002	3	8	6	1
0432-BPR-0049	EN 1158:1997+A1:2002	3	8	6	3

2516CO  
(FD461)

CE	Abloy Oy	04			
	PO Box 108 80101 Joensuu, Finland				
0432-BPR-0049	EN 1158:1996+A1:2002	3	8	6	1
		3	8	6	3



ASSA ABLOY  
ASSA ABLOY Australia Pty Limited  
235 Huntingdale Rd, Oakleigh, VIC 3166  
ABN 90 086 451 907 ©2012  
The Global Leader in Door Opening solutions