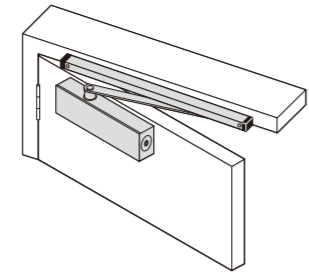


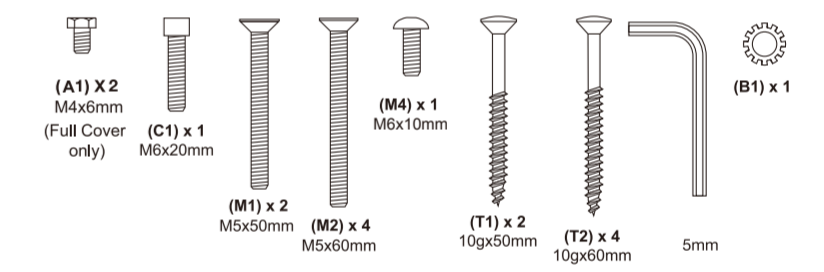
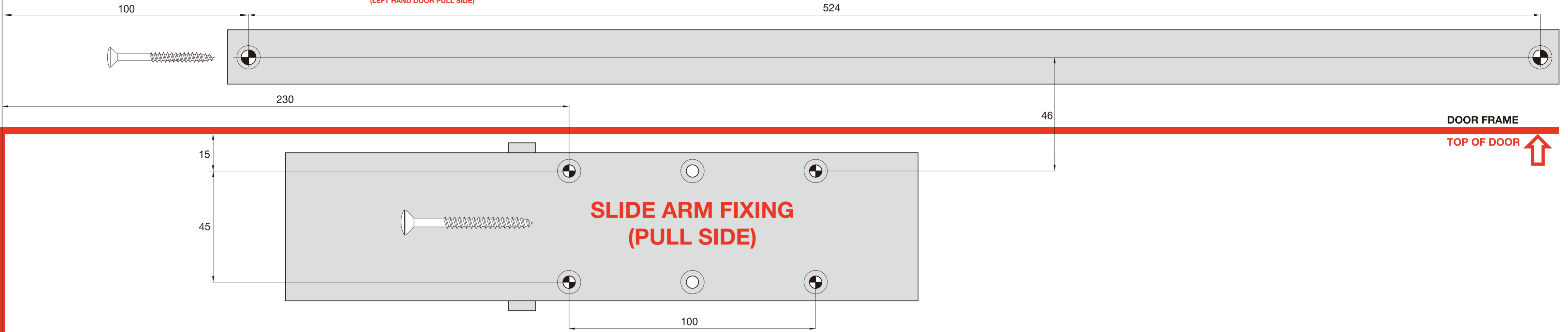


**7726/726 SERIES
SLIDE ARM
DOOR CLOSER**



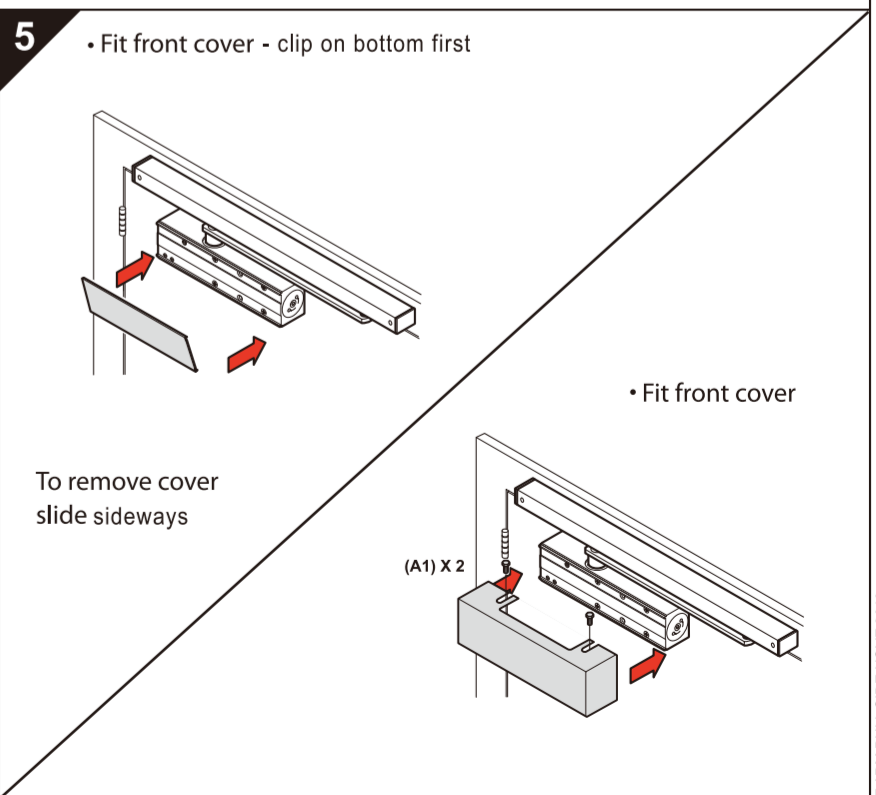
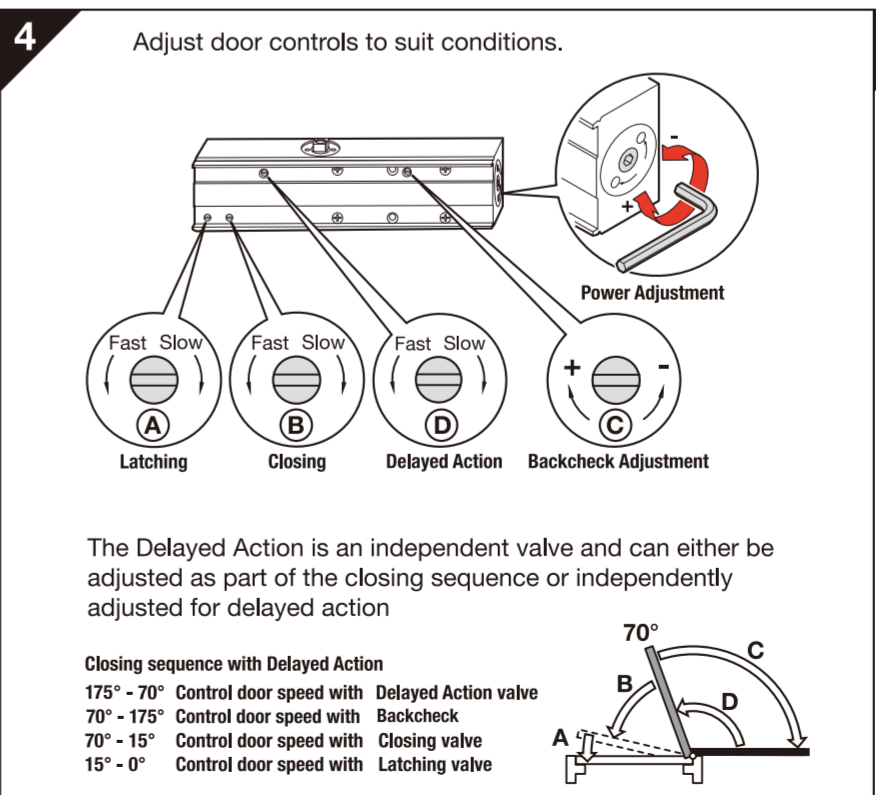
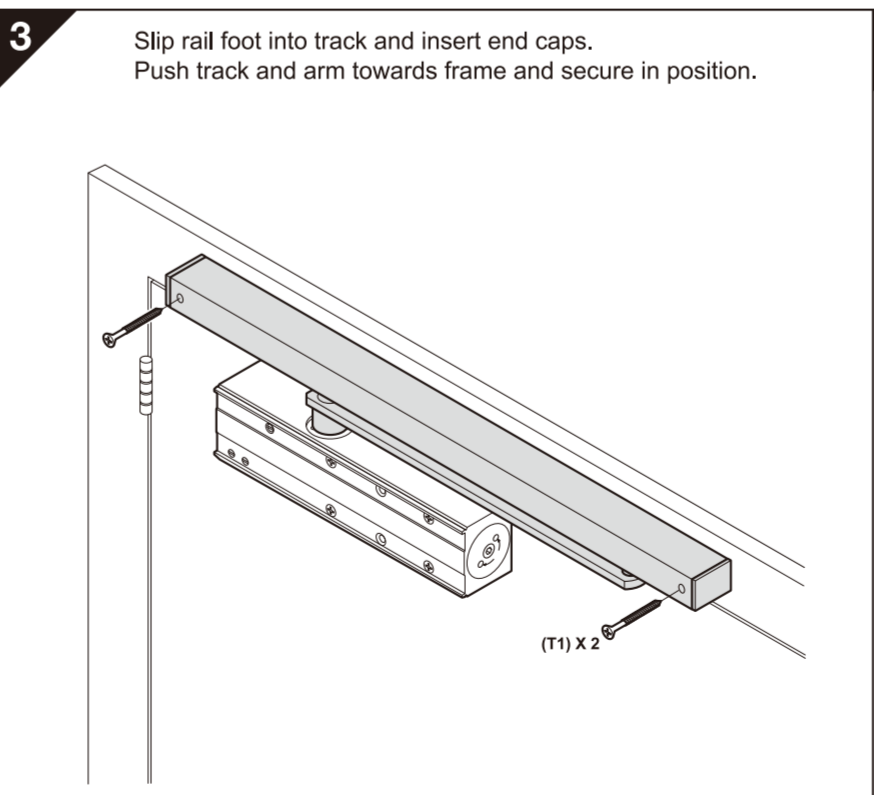
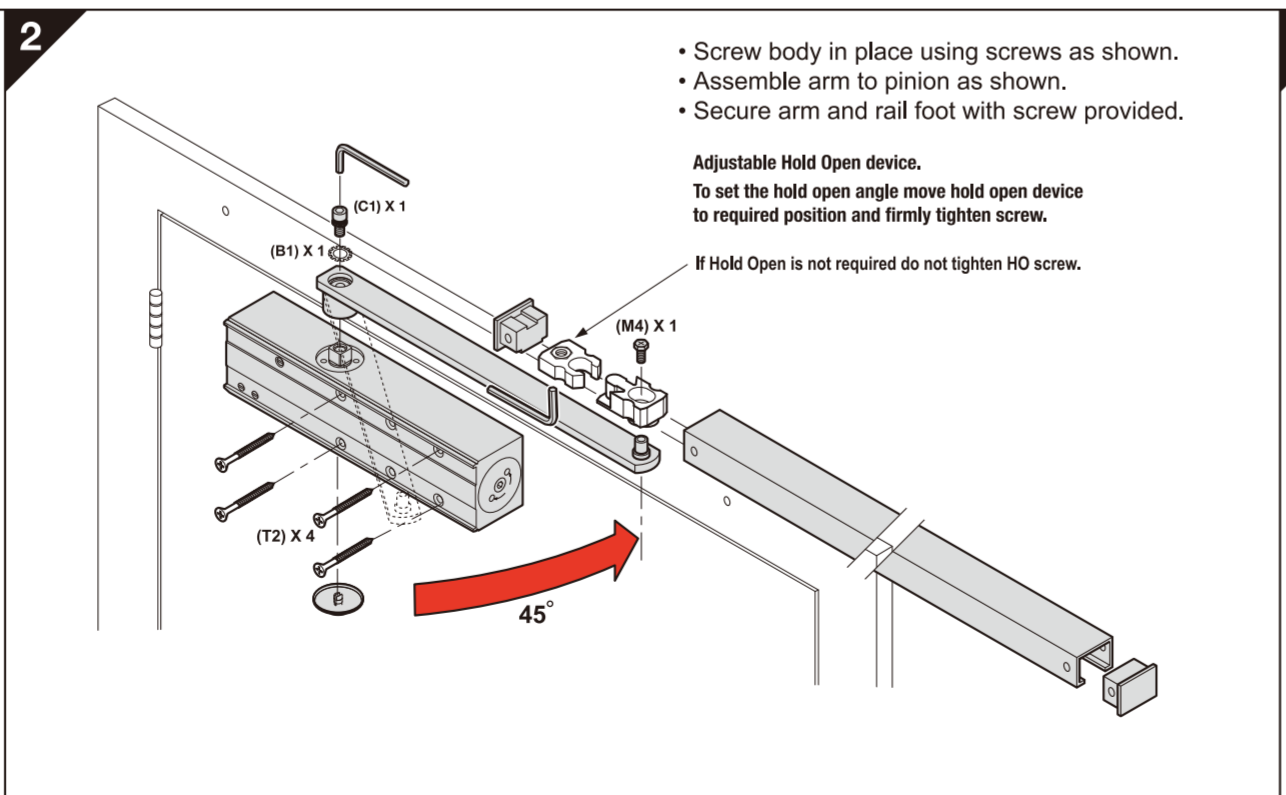
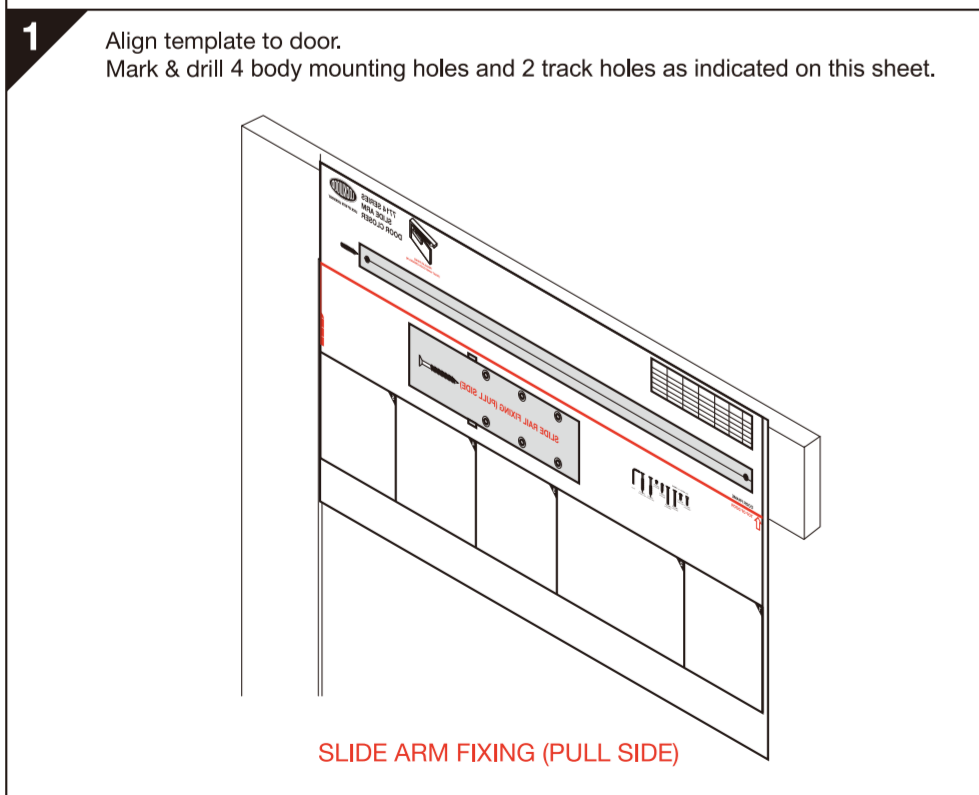
SLIDE ARM FIXING
(LEFT HAND DOOR PULL SIDE)

Power Size	Max. Door Width	Max. Door Weight	Max. Door Opening	Min. Closing Torque	Number Turns	Direction
EN1	750mm	20kg	175°	9Nm	6	Anti - Clockwise
EN2	850mm	40kg	175°	13Nm	4	Anti - Clockwise
EN3	950mm	60kg	175°	18Nm	0	-
EN4	1100mm	80kg	175°	26Nm	5	Clockwise

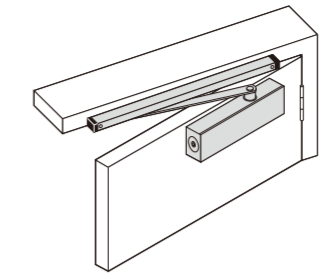


M = METAL T= TIMBER

Timber	drill Ø3
Metal	drill Ø4.2 and tap M5

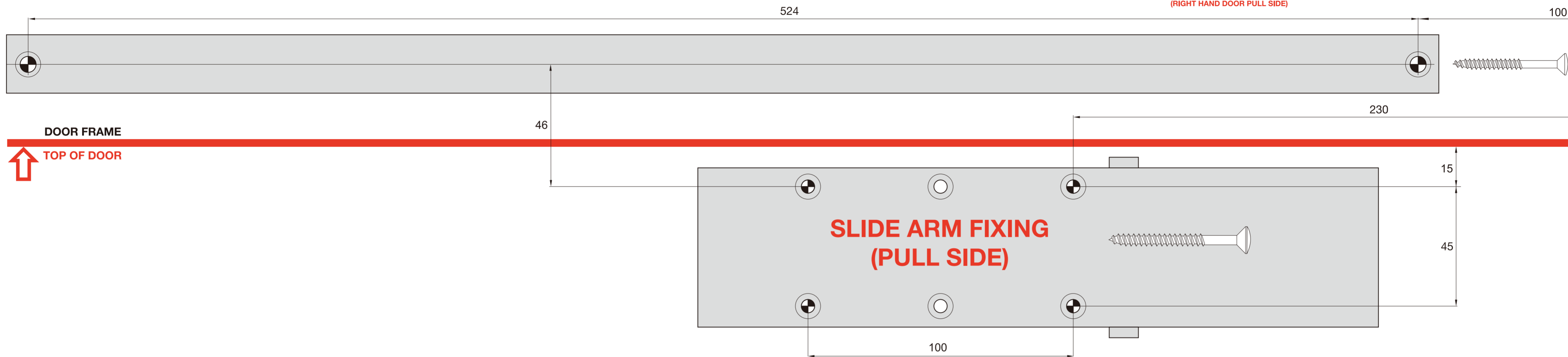


Power Size	Max. Door Width	Max. Door Weight	Max. Door Opening	Min. Closing Torque	Number Turns	Direction
EN1	750mm	20kg	175°	9Nm	6	Anti - Clockwise
EN2	850mm	40kg	175°	13Nm	4	Anti - Clockwise
EN3	950mm	60kg	175°	18Nm	0	-
EN4	1100mm	80kg	175°	26Nm	5	Clockwise



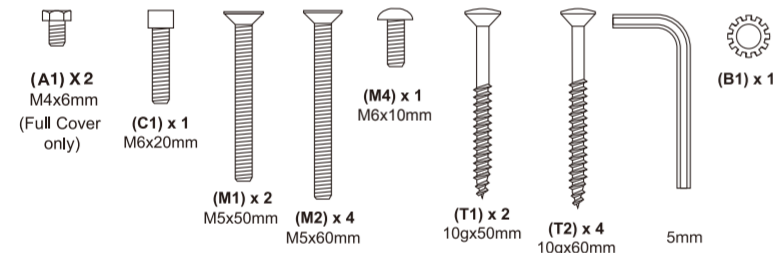
SLIDE ARM FIXING
(RIGHT HAND DOOR PULL SIDE)

**7726/726 SERIES
SLIDE ARM
DOOR CLOSER**



DOOR FRAME
↑ **TOP OF DOOR**

**SLIDE ARM FIXING
(PULL SIDE)**



M = METAL T = TIMBER

Timber	drill Ø3
Metal	drill Ø4.2 and tap M5

1 Align template to door. Mark & drill 4 body mounting holes and 2 track holes as indicated on this sheet.

SLIDE ARM FIXING (PULL SIDE)

2

- Screw body in place using screws as shown.
- Assemble arm to pinion as shown.
- Secure arm and rail foot with screw provided.

Adjustable Hold Open device.
To set the hold open angle move hold open device to required position and firmly tighten screw.
If Hold Open is not required do not tighten HO screw.

3

Slip rail foot into track and insert end caps. Push track and arm towards frame and secure in position.

4 Adjust door controls to suit conditions.

The Delayed Action is an independent valve and can either be adjusted as part of the closing sequence or independently adjusted for delayed action.

Closing sequence with Delayed Action

175° - 70°	Control door speed with Delayed Action valve
70° - 175°	Control door speed with Backcheck
70° - 15°	Control door speed with Closing valve
15° - 0°	Control door speed with Latching valve

5

- Fit front cover - clip on bottom first
- Fit front cover

To remove cover slide sideways

FOLD HERE