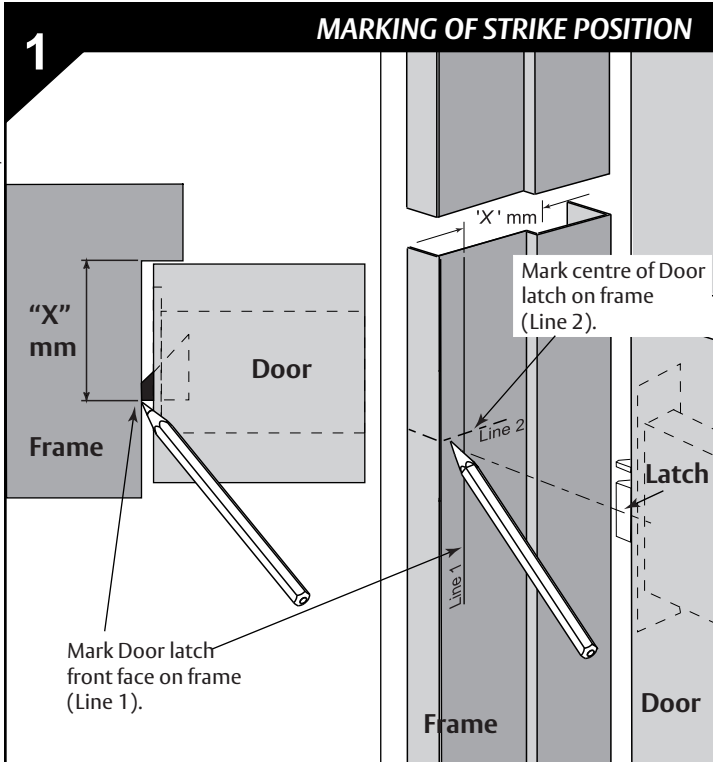
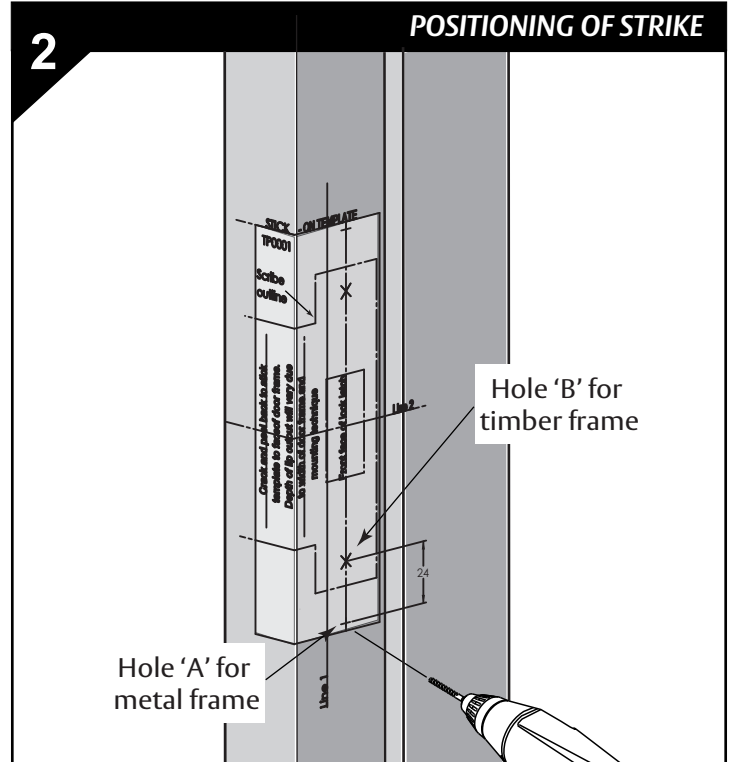


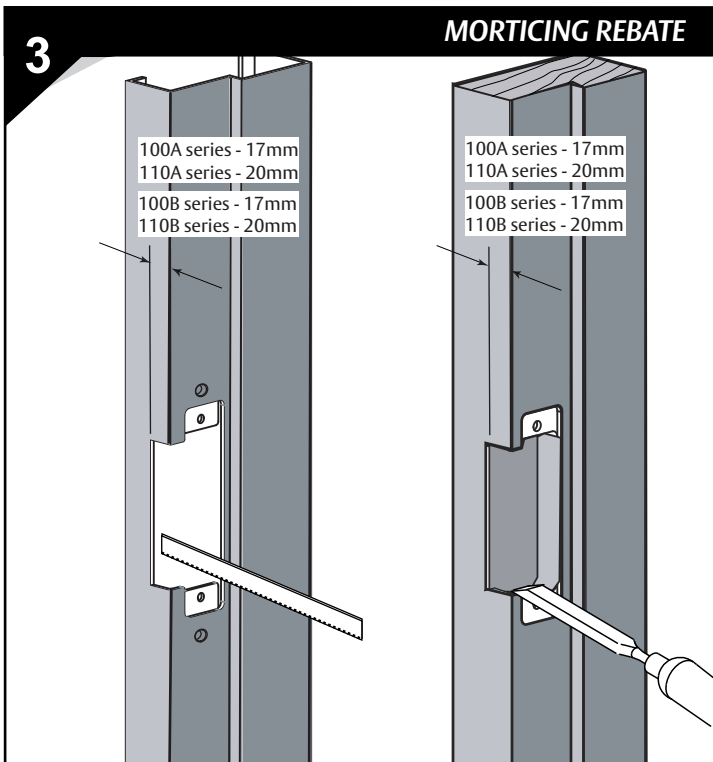
ES100/ES110 - 121 - 0316



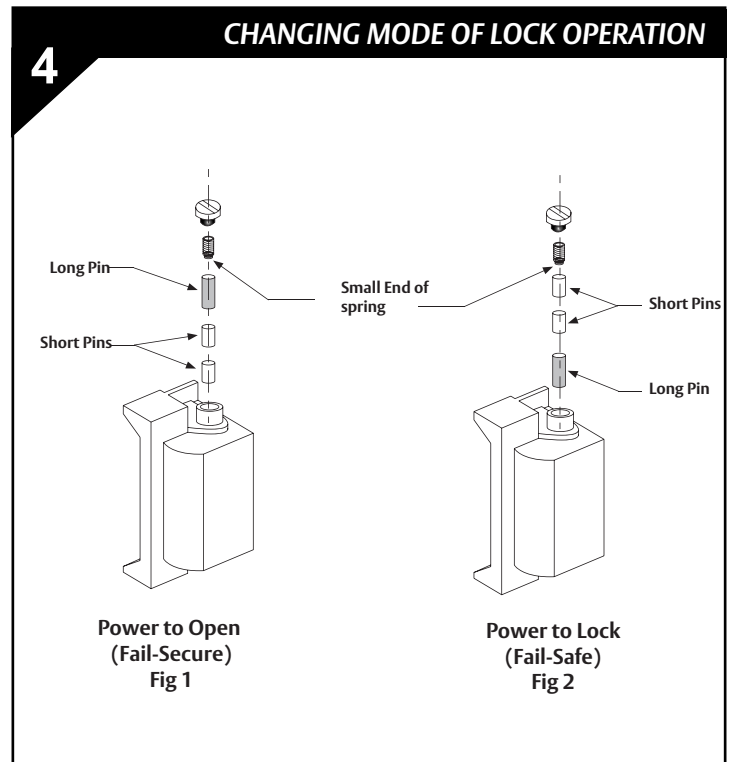
- To enable the Electric strike to be located in the door frame, first mark the position of the Door Latch front face on the door frame with the door in the closed position, ("X"mm).
- Mark where centre of latch meets door frame:
 - For new installations, mark frame where front of latch touches the door frame at the midpoint of the latch bolt.
 - For retrofit installations, remove existing strike plate and ensure the latch fits into and is centred in existing hole.



- Peel backing off adhesive template and centrally locate in the marked position, lining up both the mark for the door latch front face (Line 1) and the centre mark of the latch (Line 2).
- For the metal door drill two Ø5mm holes (A) 24mm above and below the "X" mark on the template, for a timber door drill two Ø3mm holes (B).
- Ensure secondary bolt is not within the strike cavity.

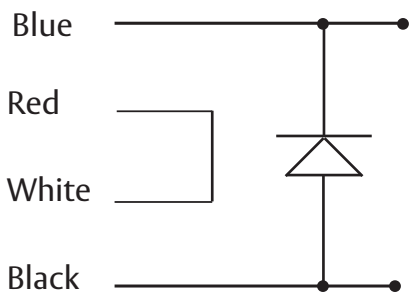


- Using the template as a guide, mortice out the door frame to the required size.
- Countersink holes in metal frame to accept screws.



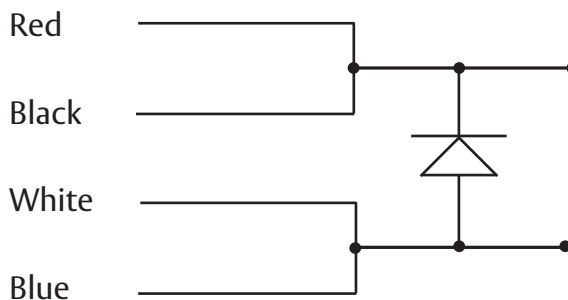
To change electric strike's mode of lock operation, remove brass screw from top of strike body. Invert strike and carefully release the small spring and 3 locking pins (2 x Short pin, 1 x Long pin). Re-insert pins in the manner shown for the desired mode of lock operation (Power to Open / fail Secure): see Fig. 1; (Power to Lock / fail safe): see Fig. 2, followed by replacing the spring. Screw in the brass screw to strike body. This will secure the spring and locking pins.

24V DC 125mA



Blue and Black to Power Supply.
Red and White joined together.

12V DC 250mA

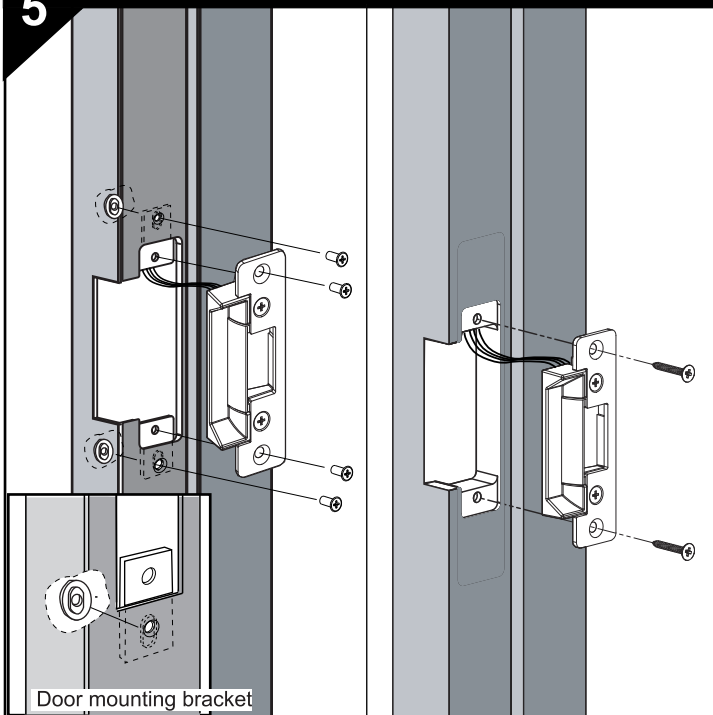


Red and Black joined and to Power Supply.
Blue and White joined and to Power Supply.

CAUTION! - Incorrect supply voltage may cause damage not covered by warranty.
Please check supply voltage with a suitable meter to ensure it is within $\pm 15\%$ of the nominal voltage shown above with the strike powered.
DO NOT OIL OR LUBRICATE

5

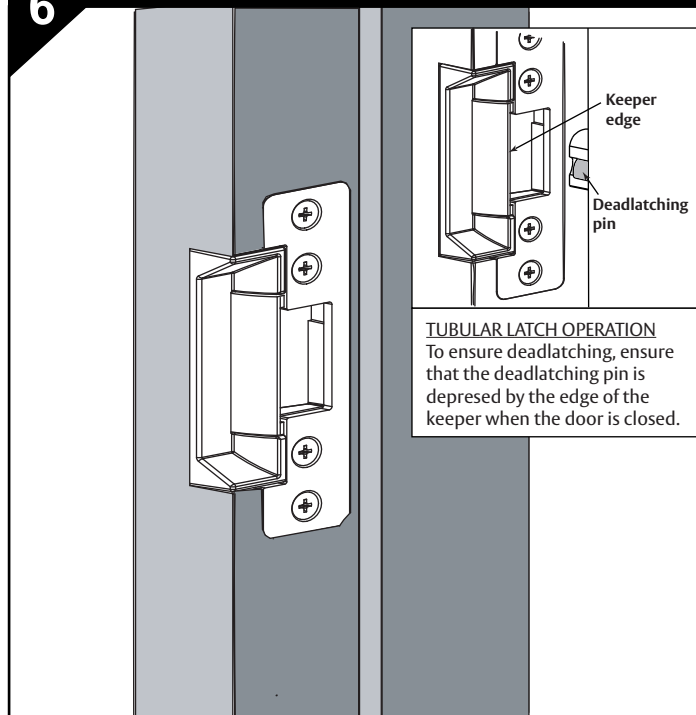
ASSEMBLING STRIKE



- For metal door frames fit door mounting brackets.
- Once door frame preparation is complete, temporarily fit strike into door frame to check for interference. Check that the door closes smoothly and that the latch extends past the strike keeper.
- When strike operates correctly with latch, remove strike from mortice and connect wiring.

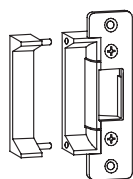
6

CHECKING FUNCTION

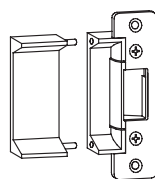


TUBULAR LATCH OPERATION
To ensure deadlatching, ensure that the deadlatching pin is depressed by the edge of the keeper when the door is closed.

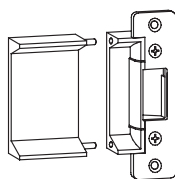
- Refit strike and secure, making sure no wires are being crushed.
- Check both mechanical and electronic operation works correctly.



15mm Extension Lip
P/No. 220110 - 502



25mm Extension Lip
P/No. 220110 - 503



50mm Extension Lip
P/No. 220110 - 504



The installation of a latch guard is recommended on outward opening external doors.