











SMARTair™ Escutcheons

Wireless and battery powered



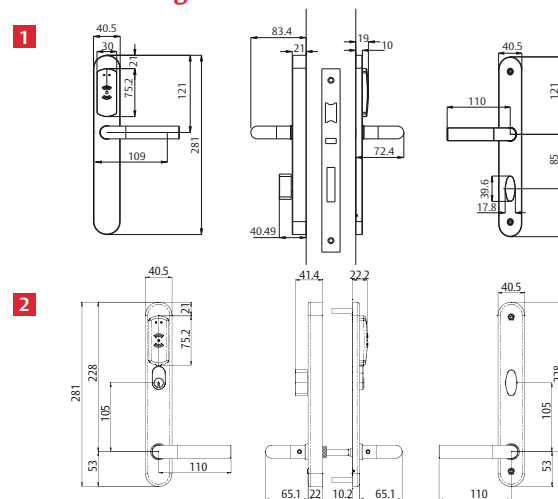
Technical data – SMARTair™ escutcheons

	Application	Ideal for Transit, Office or meeting room doors (Specific model for panic exit doors & special kits for glass doors available)
	Door profiles	Euro, Scandinavian, DIN, suitable for wooden, narrow or glass doors
	Verticals	All industries, Special antibacterial surface for health-care applications
	Traffic volume	Medium to high
	Exterior usage	Yes (IP55), Up to 85% humidity without condensation, Temperature outside (-20°C and +70°C), inside (0°C and 50°C)
	Hardware compatibility and installation	High retrofit (compatible with most mortise locks), Drilling, no cabling
	Power supply	Battery (up to 70.000 Cycles, max. 3 years standby)
	System management	Stand-Alone, Offline, Update on Card, Wireless online
	Multi-authentication	No
	Status information	Handle usage, optional combinable with position sensor (for "Wireless online")
	Certifications	CE, EN1634 (Fire), DIN 18273

SMARTair™ escutcheons – versions and profiles



Technical drawings and dimensions



1. European profile

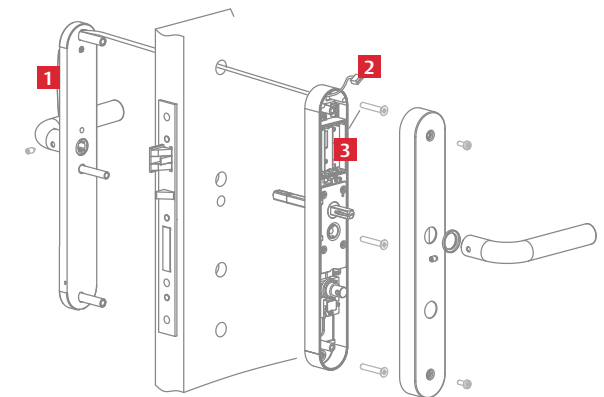
2. Scandinavian profile

Handle shapes and surfaces

- Optional additional handle version available
- Antibacterial surface for healthcare applications available



Reader elements outside, secure electronic inside



1. RFID reader with LED (green/red signal) on the outside (2 – 4cm read/write distance).
2. Control elements and
3. batteries on the inside to prevent vandalism and manipulation.