

### SMARTair™ Update on Card

Lockwood SMARTair™ proximity electronic locks are elements integrated in the access control system, which are easy to use and intuitive, efficient and easy to install, ideal for new builds or replacement market.



#### Functionality

- Unlocks the door via proximity credential
- Autonomous operation, wireless installation. Battery powered
- All of the control elements can be found inside, except the reading module, offering greater security against vandalism
- When the lock does not open the external handle turns freely, preventing the possibility of being forced open
- The narrow design enables it to be installed on all kinds of doors
- Offers read and write functionality: The credential and events can be collected and the modifications in the user's locking plan can be dumped in the lock
- It can incorporate a mechanical cylinder for emergency opening

#### Electronic Technical Features

##### Reader module

- Read / write contactless chip identification technology RFID 13.56MHz ISO14443A Phillips MIFARE CLASSIC 1K and 4K and ULTRALIGHT
- Activation mode: The lock is activated without the need to make any previous contact. Energy efficient.
- Reading distance: 10mm with standard credentials

- In the reader module there is a connection jack to the portable programmer
- Compatible with mobile phones NFC (Near Field Communication)
- Red and green warning LED. Different warnings: Access authorised or denied, battery low level etc

##### Reader module

- Non-volatile memory
- It can be programmed to operate in 3 modes:
  - Normal mode: 1500 users and 1000 events
  - Extended mode: 1000 users and 1000 events
  - High traffic door: unlimited number of users, filtered into 48 groups (permissions). Stores 1000 events
- Real-time clock and calendar. 14 time zones with 5 time periods each
- Operating modes:
  - Free access. The lock is always open
  - Standard: Default operating mode. Credentials must be placed close  
First user: Lock in passageway after first access of an authorised user

##### Battery module

- Type of batteries: 3 LR03 AAA 1.5V alkaline batteries
- Estimated duration: 20,000 operations or 3 years

- Changing batteries is easy: No need to disassemble the lock

##### Operating conditions

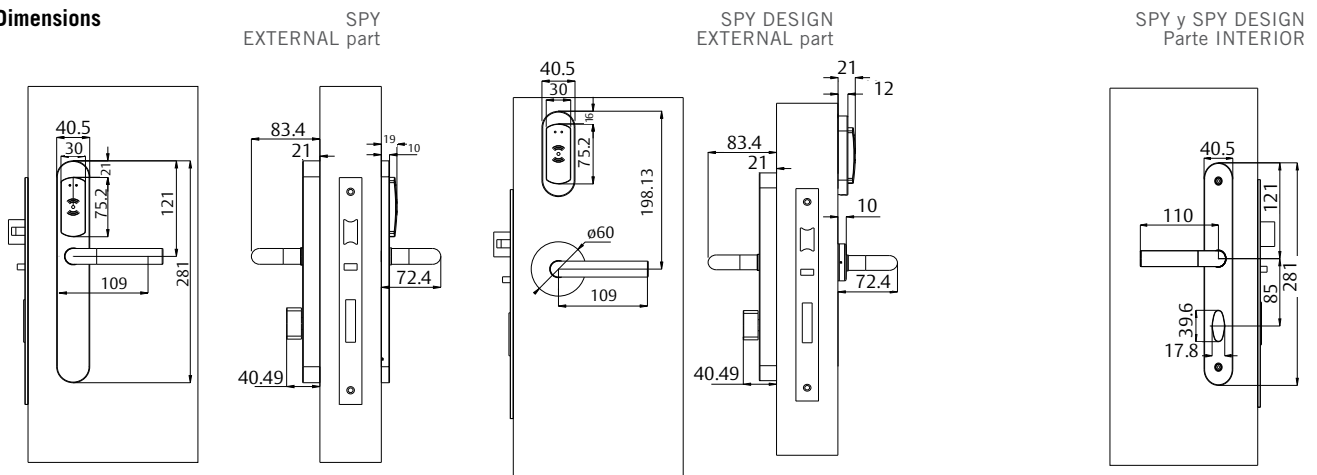
- 85% humidity without condensation
- Temperature: Exterior 20°C - 70°C, interior 0 - 50%
- Fire certificated 30, 60, 90 UNE EN 1634:2000
- IP55

#### Mechanical Technical Features

##### Blocking mechanism

- Motorised clutch which acts on the square bar that holds the outside handle
- Lock with no clutch engaged: Handle turns freely: Access denied
- Lock with clutch engaged: Turning the handle drags the square bar which extracts the latch from the motorised lock

## Dimensions



## Mortice lock

- Compatible with standard European mortice locks with different distances between axes (from 70mm to 105mm)
- Panic function, on turning the inside handle the door opens instantly

## Door width

- For doors from 33 to 110mm thick. The lock's square bars have different lengths depending on the thickness of the door. It is necessary to provide the X and Y measurements

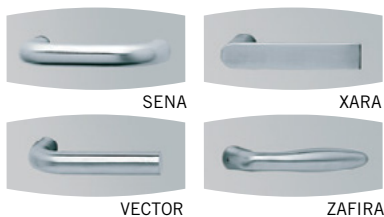
## Models and dimensions

Two aesthetically different models:

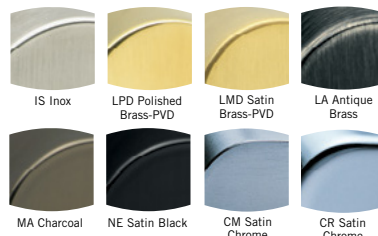
- Long plate lock
- Design lock

## Handles

We offer a great selection of handles which adapt to all kinds of doors and styles



## Finishes



## Credentials

- Read / write contactless chip identification technology RFID 13.56MHz ISO14443A Phillips MIFARE CLASSIC 1K and 4K and ULTRALIGHT
- The identification element can be a card, a key-ring, a bracelet, etc
- Possibility of being incorporated in other medium with other technologie, cards with magnetic strip, contact chip, proximity 125 kHz, etc
- Great resistance to weather, knocks, water, dust, extreme temperatures
- The lack of contact between the chip and the reader provides greater durability and low maintenance costs



## Adaptability

- The ST electronic lock can be installed with other mortice locks and handles on the market. Ideal for RETROFIT operations where you want to keep part of the installation