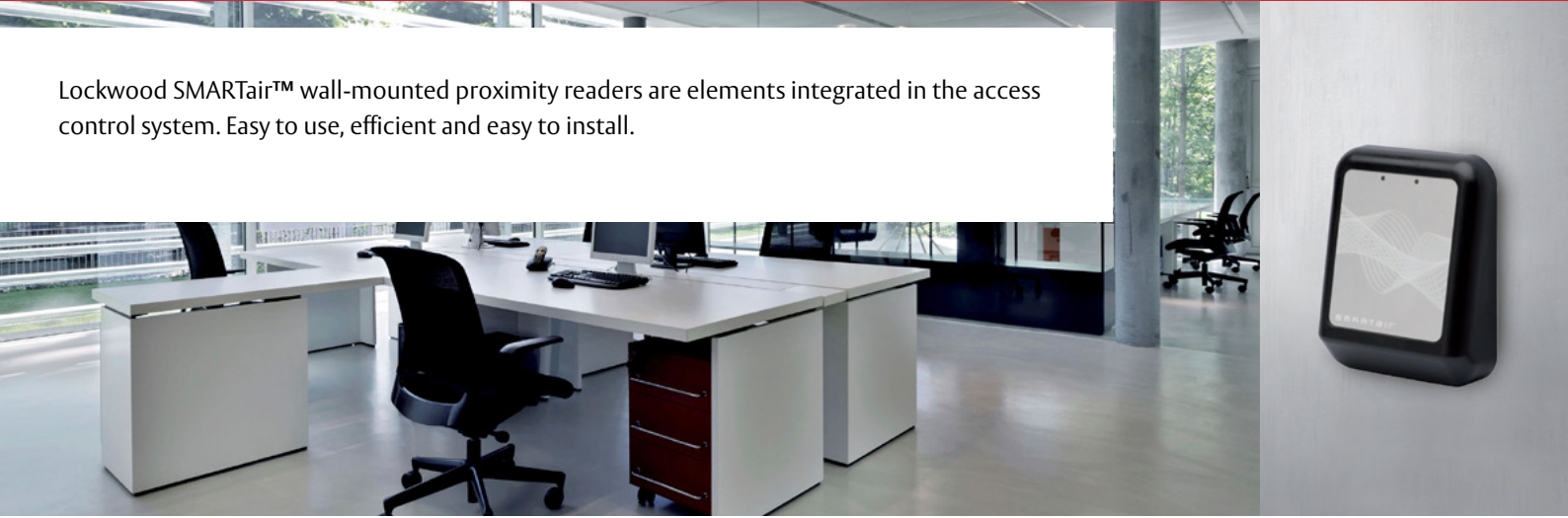


Lockwood SMARTair™ wall-mounted proximity readers are elements integrated in the access control system. Easy to use, efficient and easy to install.



The wall-mounted reader is the solution presented by the TS1000 access control system for doors in which the locking or blocking element is an automatism: Automatic doors, a car park barrier, doors with electric or magnetic strike plates, etc. That is, doors where the installation of the autonomous electronic lock is not appropriate or is practically impossible.

It is a proximity card reader which incorporates a relay and a control unit which manages both the reader and the relay.

Via the relay, the control unit will decide whether or not to activate the door's locking element, depending on whether the user who is attempting to open the door has authorised or not.

The reader has no power supply incorporated, and therefore requires an external power supply.

### Functionality

- Reading cards / credentials via proximity (contactless)
- Autonomous operation: The wall-mounted reader makes decisions autonomously, without any type of external and / or centralised control unit
- Via a relay the electromechanical locking element is unlocked:
  - Electric strike plate
  - Electromagnetic lock
  - Escape routes

- User identification, time zones, events record (openings and attempts to open), cancelling lost and / or stolen cards, etc
- In the case of Update on Card (UoC) systems, they offer a read and write functionality:
  - Updating user accesses via their own cards / credentials
  - The events are stored in both the wall-mounted reader and in the users' credentials

### Technical Characteristics

#### Reader module

- Read / write contactless chip identification technology RFID 13.56MHz ISO14443A Phillips MIFARE CLASSIC 1K and 4K and ULTRALIGHT
- Reading distance: 10mm with standard credentials
- In the reader module there is a connection jack to the portable programmer
- Compatible with mobile phones NFC (near field communication), (NFC symbol)
- Red and green warning LED. Different warnings: Access authorised or denied, etc
- Possibility of connecting a second reader to the updater to control not only the input, but also the output of the user

#### Control unit

- Non-volatile memory
- It can be programmed to operate in 3 modes:
  - Normal mode: 1500 users and 600 events
  - Extended mode: 1000 users and 1000 events
  - High traffic door: Unlimited number of users filtered into 48 groups (permissions). Stores 1000 events
- Real-time clock and calendar. 14 time zones with 5 periods each
- Operating modes
  - Free access: The lock is always open
  - Standard: Default operating mode. Credentials must be moved close by
  - First user: Lock in passageway after first access of an authorised user

## Connectors

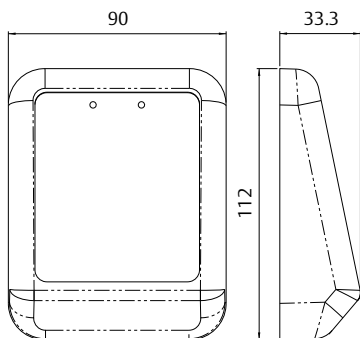
- CN1: Power supply 12/24V DC and 12V AC. Relay consumption in action: 150mA
- CN2: RS485
- CN3: Relay output (NO, NC, C). Cut-off capacity: 5A 250V AC / 5A 30V DC
- CLR: Reset button to delete the reader's memory

## Operating conditions

- 85% humidity without condensation  
- Interior drainage in the reader
- Temperature between - 10°C and 80°C
- IP54
- Noise from the electric strike plate:  
The installation of a VARISTOR (included) in the electric strike plate which absorbs the noise it can produce. ONLY ALTERNATING CURRENT

## Reader Module Dimensions

Standard (black)



## Credentials

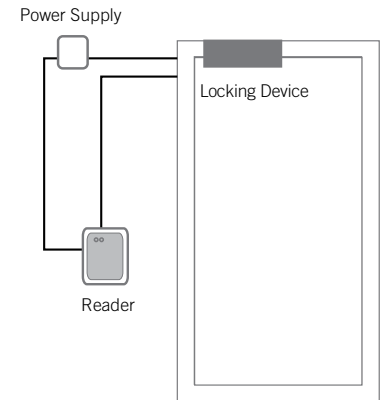
- Read / write contactless chip identification technology RFID 13.56MHz ISO14443A Phillips MIFARE CLASSIC 1K and 4K and ULTRALIGHT
- The identification element can be a card, a key-ring, a bracelet, etc
- Possibility of being incorporated in other medium with other technologies, cards with magnetic strip, contact chip, proximity 125 kHz, etc
- Great resistance to weather, knocks, water, dust, extreme temperatures
- The lack of contact between the chip and the reader provides greater durability and low maintenance costs



## Compatibility with TESA products

- Compatible with TESA's whole range of electromechanical products

## Standard Installation



## Relay board

The reader board is the ideal complement for wall-mounted readers when it is necessary to activate various elements from a single point, deciding for each user which elements must be activated

The most common example is the inside of a lift. The user presents their credential to the wall-mounted reader, which recognises their identity, and via one or more relay boards, it activates only the floors to which this user has access, preventing access to the unauthorised floors.

Each relay board has 8 outputs. We can interconnect a maximum of 5 relay boards. This means that a wall-mounted reader is capable of managing up to 40 outputs.

