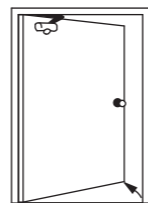




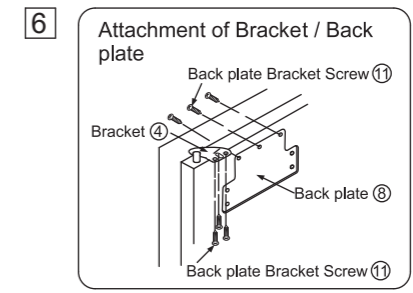
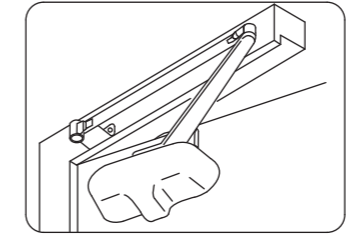
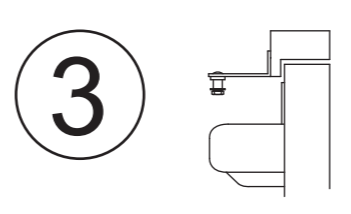
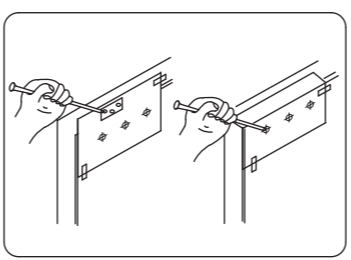
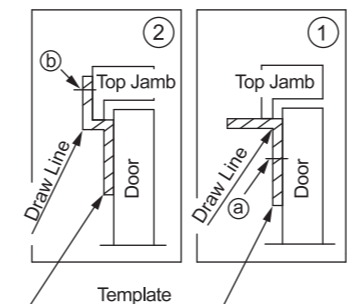
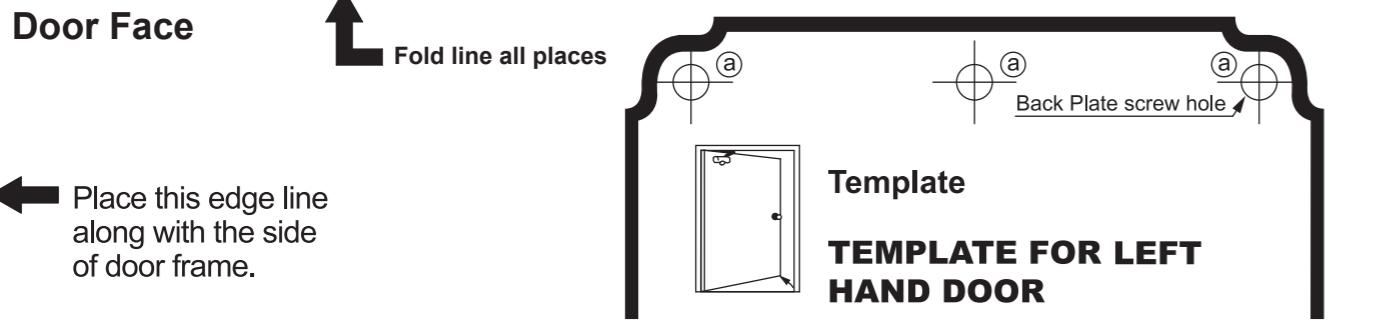
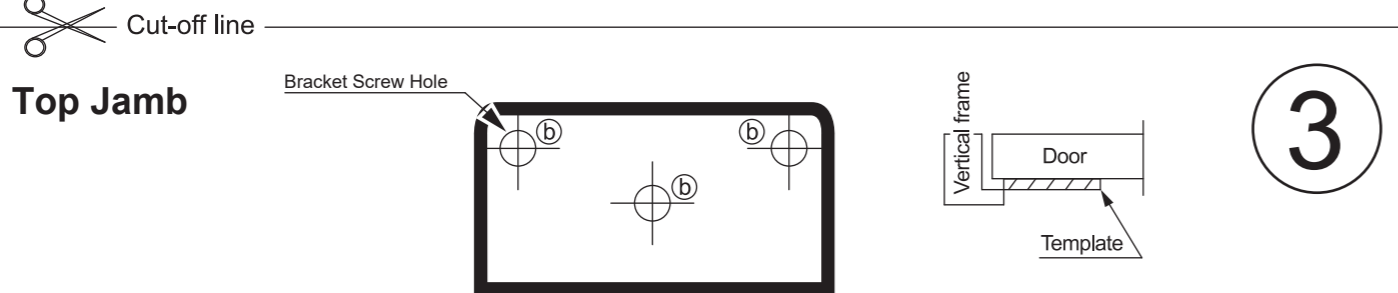
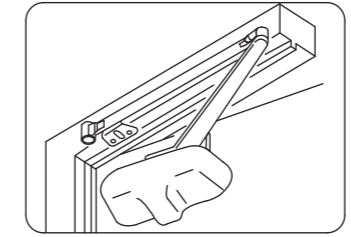
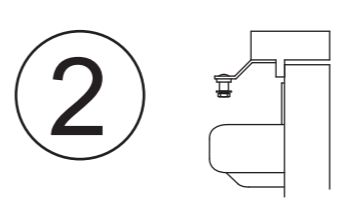
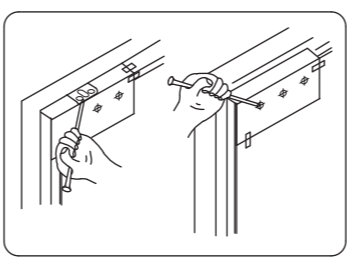
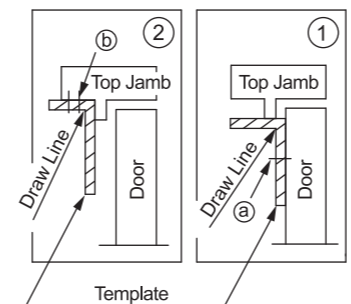
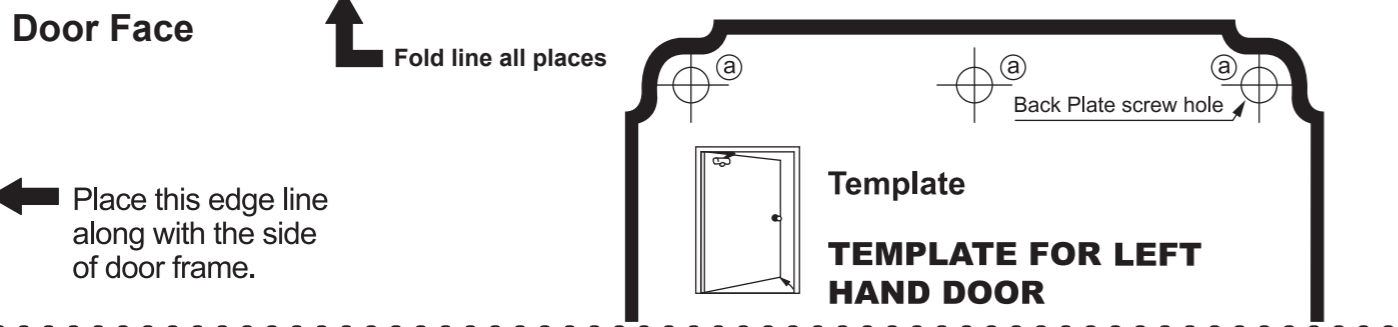
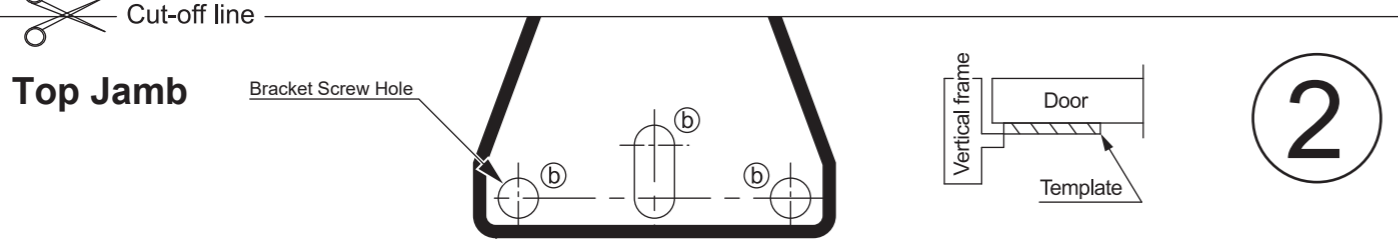
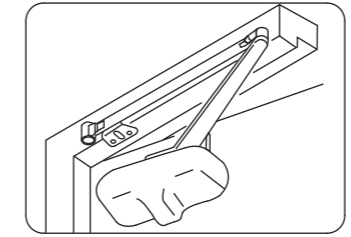
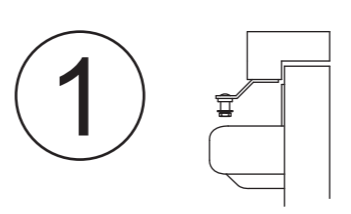
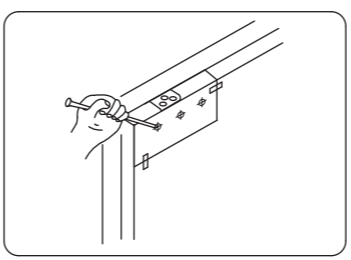
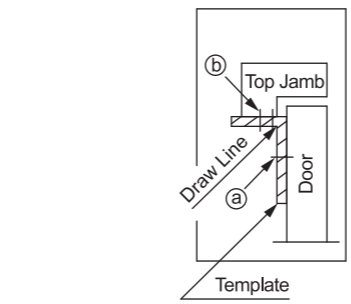
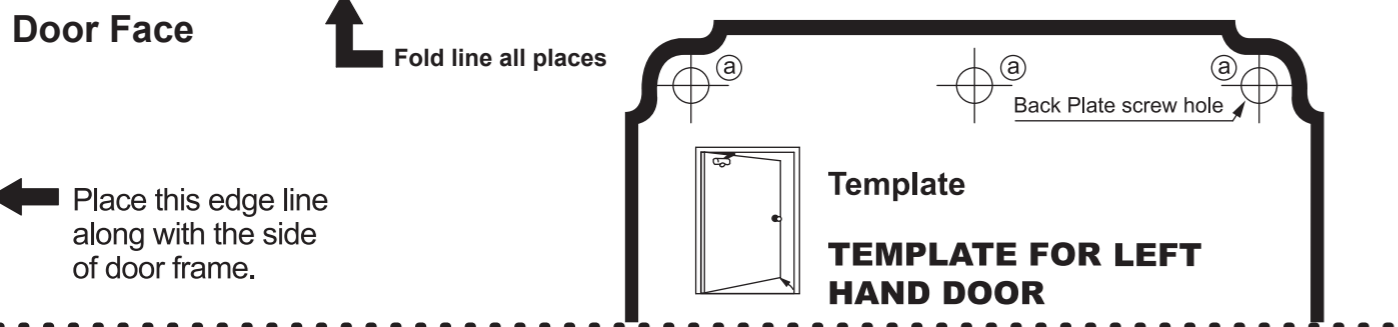
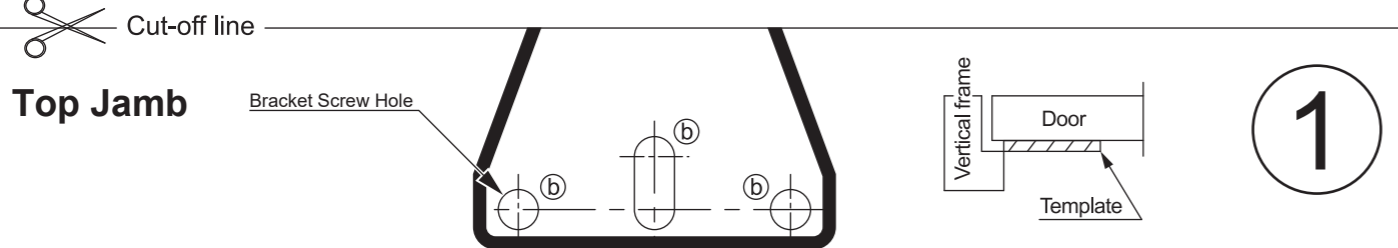
ASSA ABLOY

TEMPLATE FOR LEFT HAND DOOR



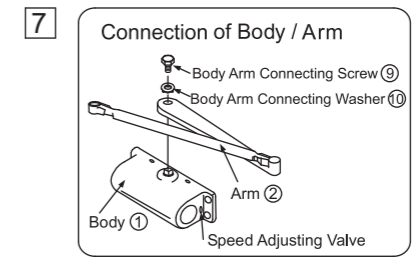
Usage of template

Three Types of Top Jamb



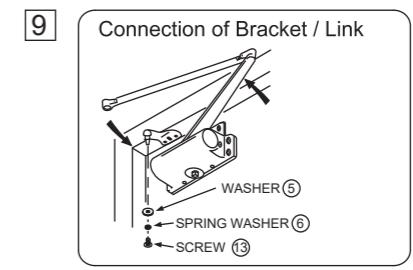
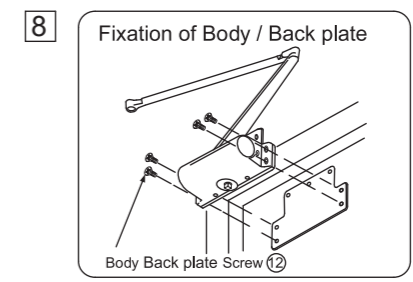
Please check front and back of Bracket. The word " This side to door " does not be seen after attaching to the door.

In case thickness of door is less than 28mm please use short wood screws to match the thickness of door.

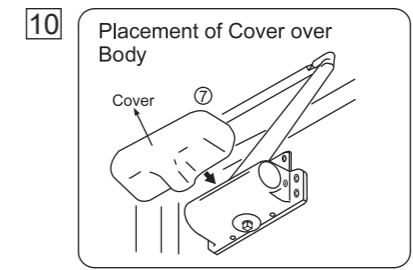


Place arm on shaft of body with body/arm connecting screw and then secure by using a screw driver or wrench, etc.

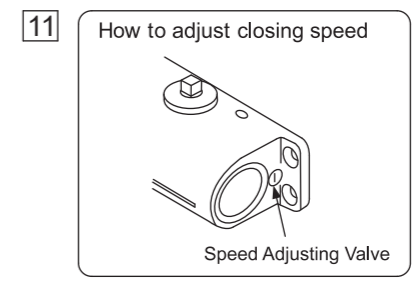
[Reference]
Speed adjusting screw and connection part of arm / link is in the direction of lock.



Connect link and Bracket using Washer Spring Washer Screw



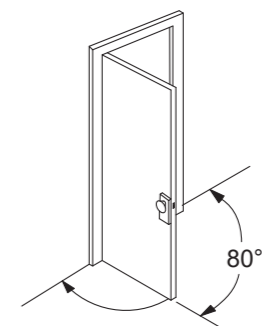
※ After adjusting closing speed, place Cover over Body.



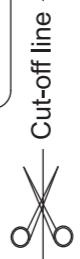
Speed Adjusting Valve controls door closing speed.

to slow down swing speed of the door turn Speed Adjusting Valve to the right (Clockwise).

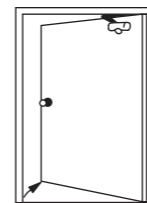
to speed up the swing speed of the door turn the Valve to the left (Counter clockwise).



This door closer has a built in, non-adjustable hold open feature. If the door is opened beyond 80 degrees, the door will remain open until it is pulled back to less than 80 degrees, then it will close automatically.



Lockwood 1022 series door closer INSTALLATION INSTRUCTIONS



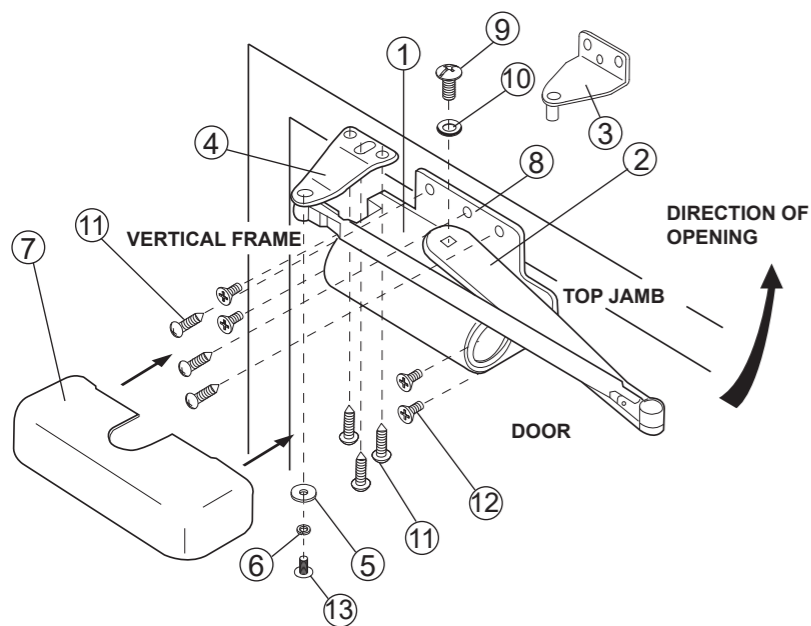
TEMPLATE FOR RIGHT HAND DOOR



Three Types of Top Jamb

Usage of template

1 PARTS AND ASSEMBLY DIAGRAM



Name of Parts		Name of Parts	
①	Body	⑧	Back Plate
②	Arm / Link	⑨	Body / Arm connecting Screw
③	L Bracket	⑩	Body / Arm connecting Washer
④	D Bracket	⑪	Back plate / Bracket Screws
⑤	Washer	⑫	Body / Body plate Screws
⑥	Spring Washer	⑬	Screw
⑦	Cover		

2 Determine door handling Left Hand (LH) or Right Hand (RH) and choose appropriate template.

3 Determine type of door frame style as per ①, ② or ③ that corresponds to your door frame.

4 Determine bracket type that suits "D" or "L" type.

5 Cut appropriate template to suit.

1 Fold this template at right angle along draw line and place (A) side on the door face and (B) side on the bottom side of top jamb.

2 Fold this template at right angle along draw line, place (A) side on the door face and then determine location of Back Plate screw holes. Fold this template at right angle along draw line, place (B) side to the bottom side of top jamb. Determine location of Bracket screw holes.

3 Fold this template at right angle, place (A) side on the door face and then determine location of Back Plate screw holes. Fold this template at right angle in inverted "V" shape, place (B) side on the side face of top jamb. Determine location of Bracket screw holes.

